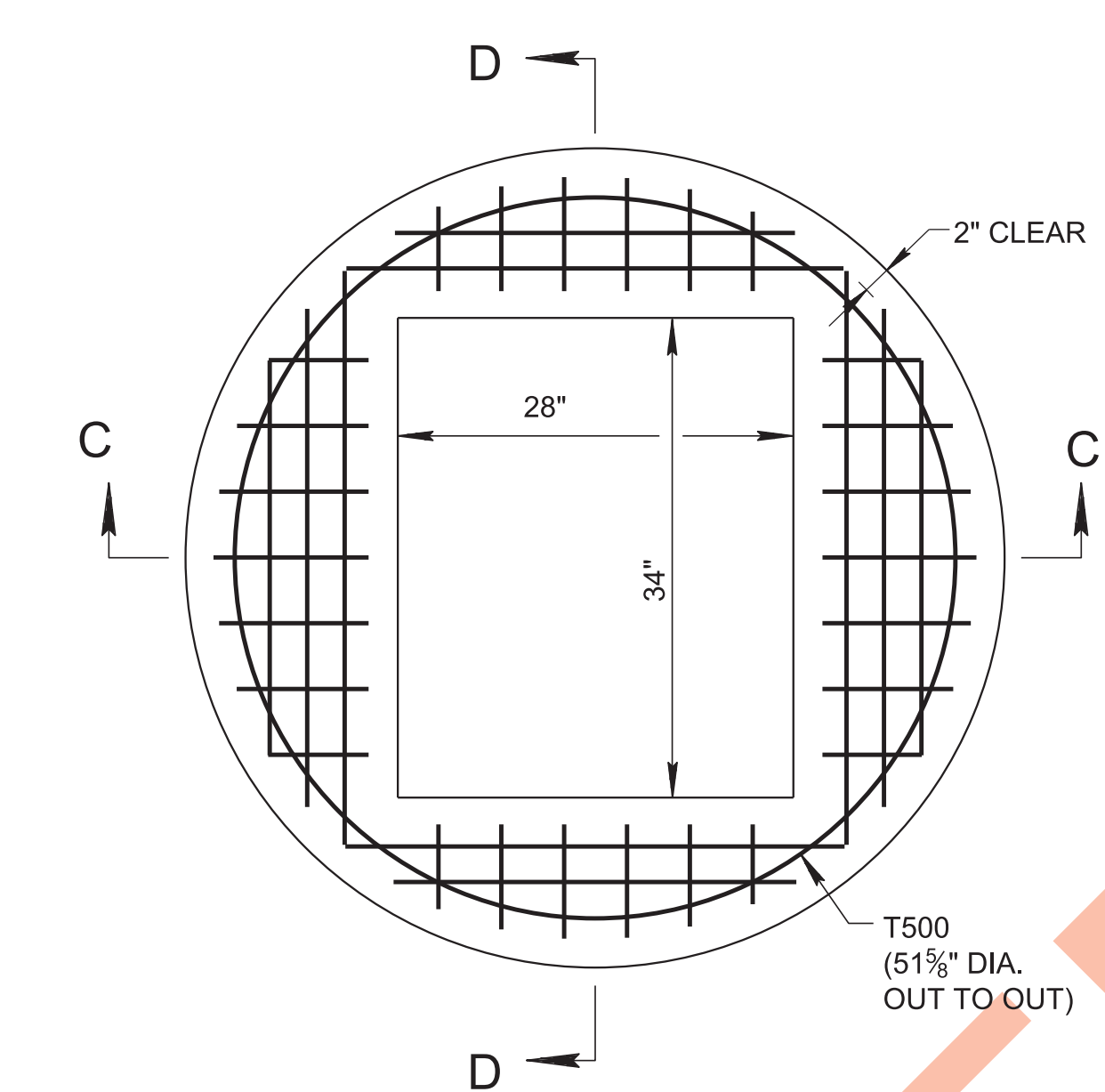
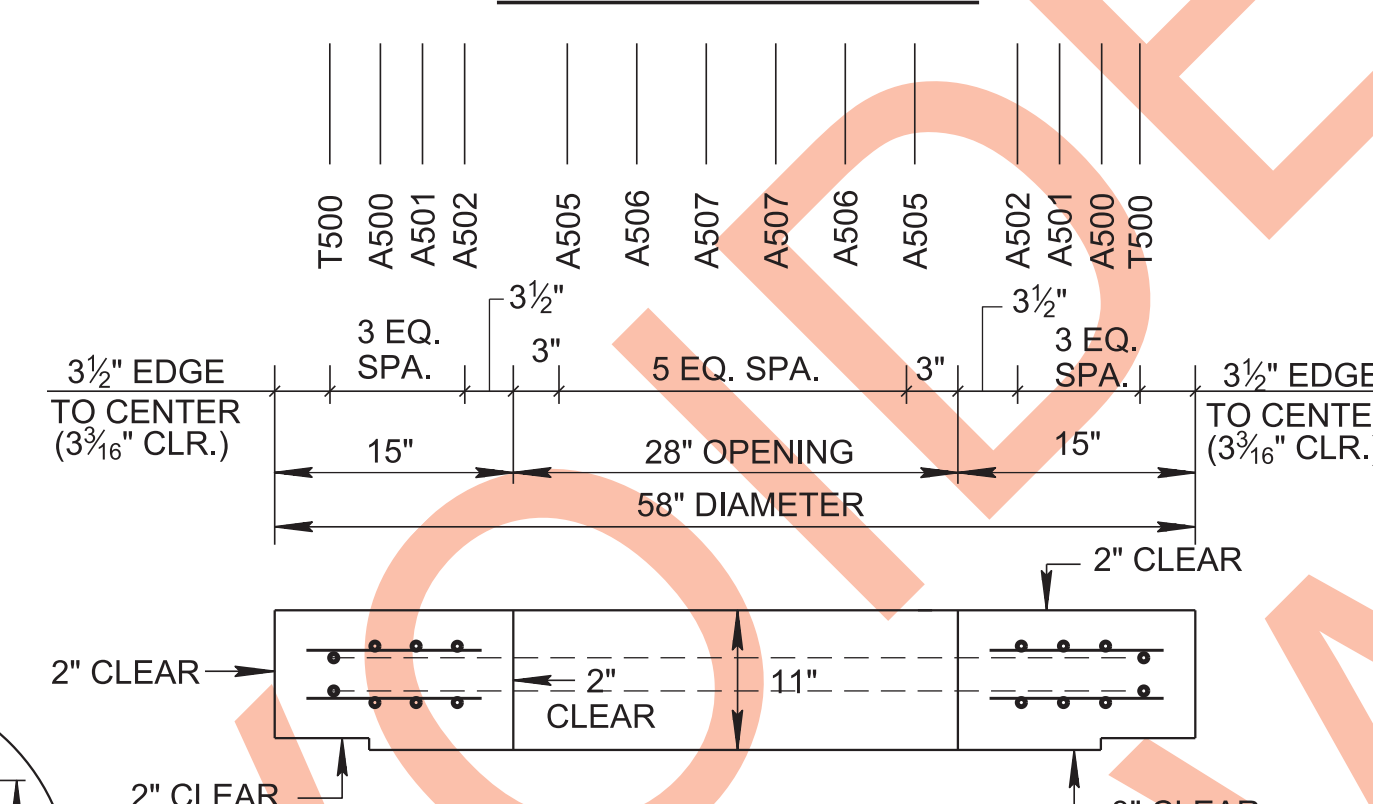


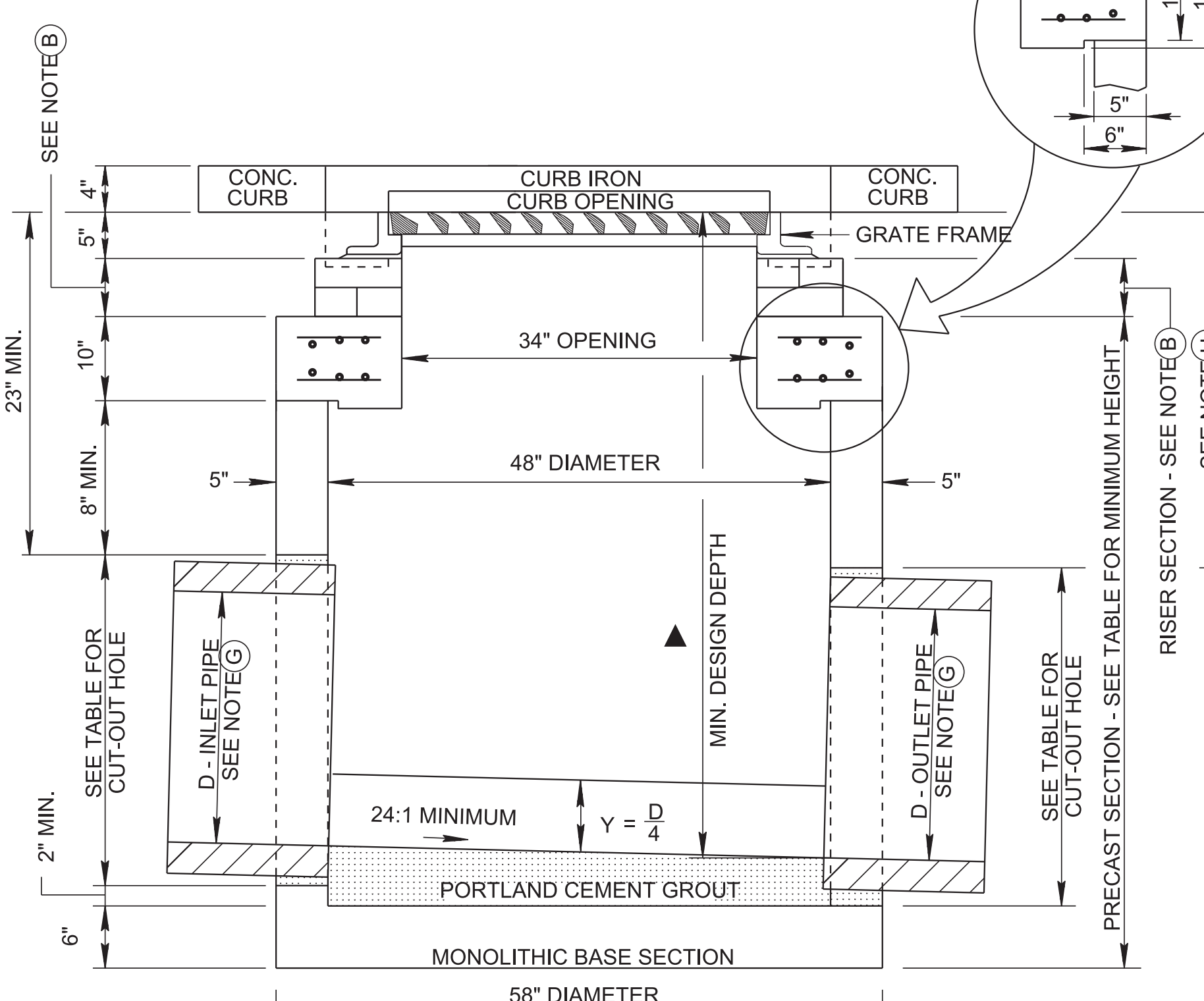
PLAN VIEW



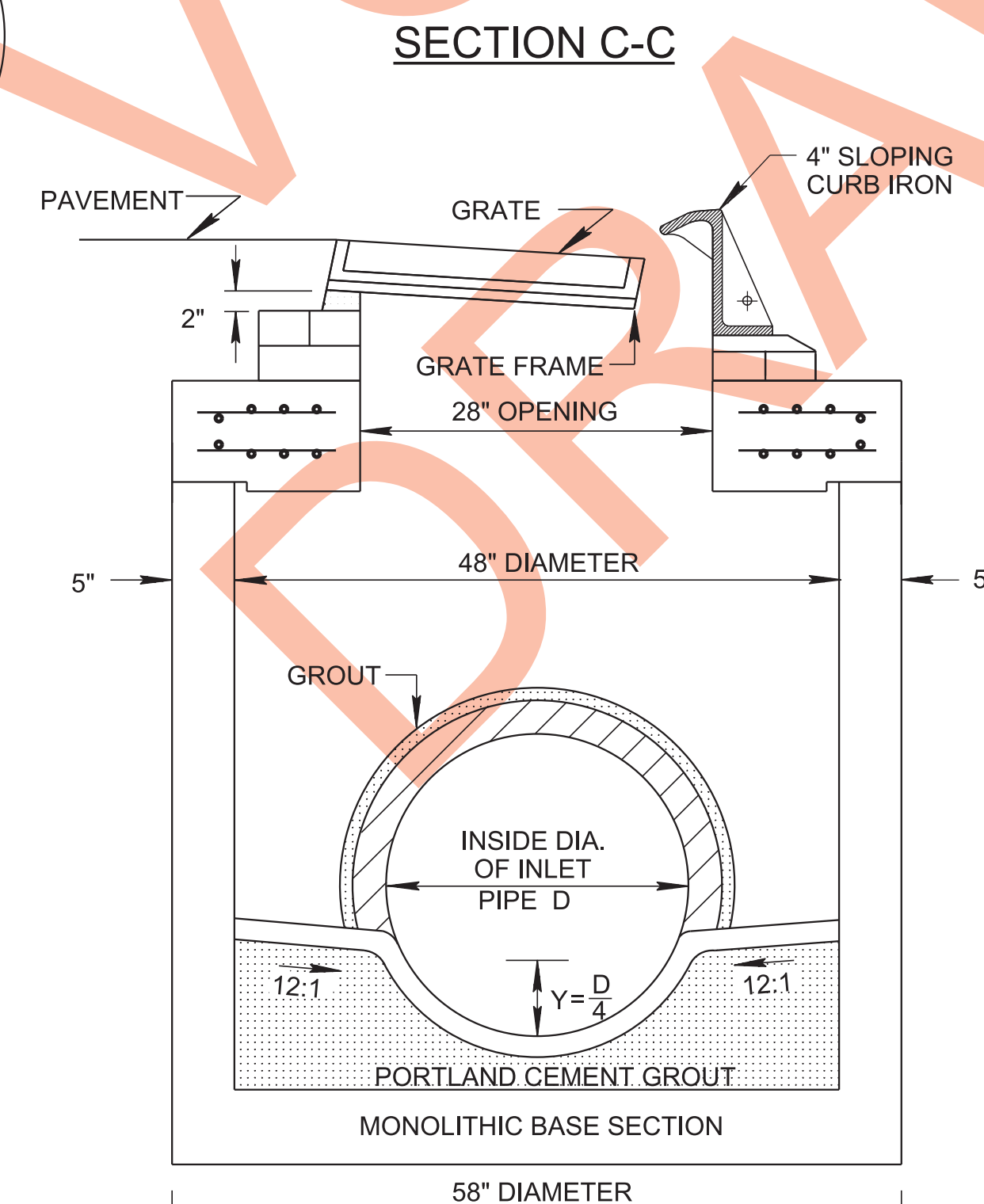
LID REINFORCING



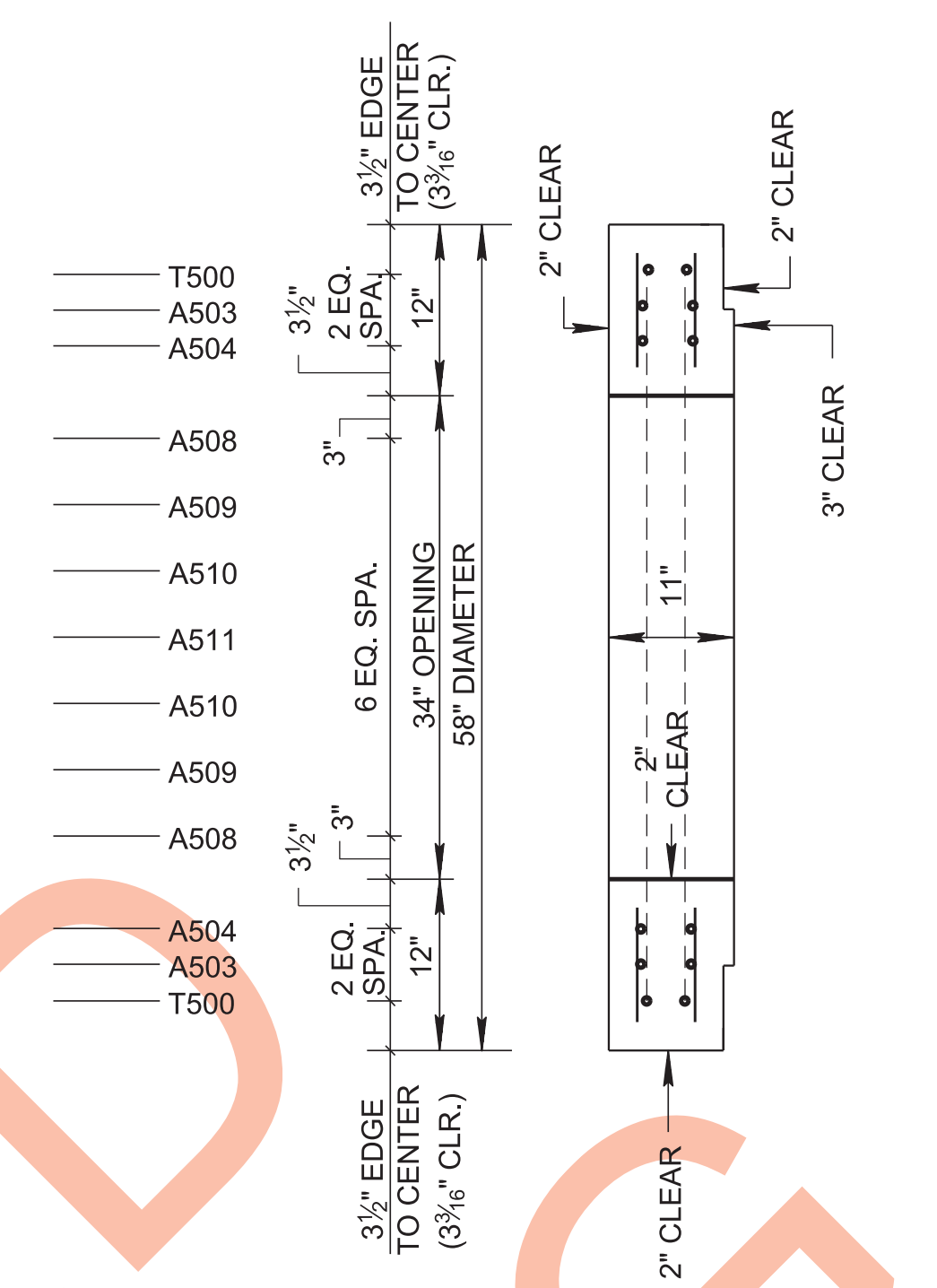
SECTION C-C



SECTION A-A



SECTION B-B



SECTION D-D

**CATCH BASIN MAXIMUM DEPTH NOTE**  
 MAXIMUM DEPTH FOR THIS STRUCTURE IS 20.00'

CATCH BASIN DIMENSIONS				
INSIDE DIAMETER (D) OF PIPE (INCHES)	PIPE WALL THICKNESS (INCHES)	DIAMETER OF CUT-OUT HOLES (INCHES)	PRECAST SECTION HEIGHTS MIN. (INCHES)	FOR DESIGN USE ONLY CATCH BASIN MINIMUM DESIGN DEPTH (FEET)
18	2 1/2	25	51	3.89
24	3	32	58	4.43

- ① CUT-OUT HOLES BASED ON REINFORCED CONCRETE PIPE WITH WALL TYPE "B".
- ② ALL FLEXIBLE PIPE MATERIALS REQUIRE GASKET. SEE STANDARD DRAWING D-PB-2.
- ③ CUT-OUT HOLES FOR PRECAST STRUCTURES TO BE FORMED IN ORDER TO OBTAIN A SMOOTH EDGED HOLE. SCORED OR ETCHED HOLES WITH REINFORCING STEEL LEFT UNCUT WILL NOT BE PERMITTED.

**GENERAL NOTES**

- (A) ALL PRECAST ELEMENTS TO MEET ASTM C478 (CURRENT EDITION) AND AASHTO M199 (CURRENT EDITION) UNLESS SUPERSEDED BY THIS DRAWING.  
 CONCRETE:  $f'_c = 4,000$  POUNDS PER SQUARE INCH AT 28 DAYS  
 REINFORCING STEEL: ASTM A615,  $F_y = 60,000$  POUNDS PER SQUARE INCH  
 ALL REINFORCING IS TO BE INSTALLED AS DETAILED ON THIS DRAWING.
- (B) THIS DIMENSION MAY VARY FROM A MINIMUM OF 0 INCHES TO A MAXIMUM OF 24 INCHES AS LONG AS 23 INCHES IS SATISFIED. THE CONTRACTOR HAS THE OPTION OF USING BRICK OR STANDARD PRECAST CONCRETE RISER FRAMES. THE USE OF BRICK SHALL BE LIMITED TO 6 INCHES. IF THIS DIMENSION EXCEEDS 6 INCHES, PRECAST CONCRETE RISER FRAMES SHALL BE USED AS SHOWN ON STANDARD DRAWING D-RF-1.
- (C) PRECAST CATCH BASIN UNITS WHICH ARE DAMAGED DURING SHIPMENT OR INSTALLATION WILL BE REJECTED. IT SHALL BE THE RESPONSIBILITY OF THE CONTRACTOR TO REPLACE DAMAGED CATCH BASIN UNITS AT HIS OWN EXPENSE.
- (D) APPROPRIATE SIZING AND LOCATION OF LIFTING DEVICES SHALL BE THE RESPONSIBILITY OF THE FABRICATOR.
- (E) THE CONTRACTOR IS TO PATCH ALL LIFTING DEVICE HOLES WITH GROUT AND PLACE A MINIMUM OF ONE (1) INCH OF COVER OVER THE HARDWARE OF THESE DEVICES ON BOTH TOP AND BOTTOM SURFACES.
- (F) ALTERNATIVE JOINT DETAILS MAY BE ACCEPTABLE. SEE STANDARD DRAWING D-CB-99R FOR ADDITIONAL DETAILS.
- (G) SEE ROADWAY PLANS DRAINAGE TABULATION FOR PIPE INLET AND OUTLET ELEVATIONS. IF NEEDED, INVERT ELEVATIONS MAY BE ADJUSTED AS DIRECTED BY THE ENGINEER IN ORDER TO ACCOMMODATE INLET AND OUTLET PIPES.
- (H) FOR CASES WHERE THE OUTLET PIPE DIAMETER IS LARGER THAN THE INLET PIPE DIAMETER, A MINIMUM 23 INCH DEPTH SHALL BE MAINTAINED ABOVE THE OUTLET PIPE.
- (I) SEE STANDARD DRAWING D-CBB-12C FOR DETAILS REGARDING CAST IRON GRATES, FRAMES AND CURB INLETS.
- (J) SEE STANDARD DRAWING D-CB-28RB FOR DETAILS REGARDING 60" AND LARGER CIRCULAR NO. 28 CATCH BASIN (FOR USE WITH 4" SLOPING CURB).
- (K) PAY DEPTH MEASUREMENT MADE FROM TOP OF GRATE TO OUTLET FLOW ELEVATION. PAYMENT FOR CATCH BASIN WILL BE MADE UNDER ITEM NUMBERS 611-28.01 CATCH BASINS, TYPE 28, 0'-4' DEPTH THROUGH 611-28.05 CATCH BASINS, TYPE 28, > 16'-20' DEPTH PER EACH. PAYMENT INCLUDES RISER SECTION AND GRATE.

- REV. 12-18-95: MODIFIED DRAWING NO. D-CB-25RA TO ACCEPT 4" MOUNTABLE CURB BACK.
- REV. 2-14-96: CHANGED SHEET NAME.
- REV. 12-18-96: REMOVED 0.5" PREMOLDED FIBER EXPANSION JOINT FROM SECTION "B-B". REMOVED OLD GENERAL NOTE (C) CHANGED LABEL OF LAST FOUR GENERAL NOTES.
- REV. 4-15-97: CHANGED CATCH BASIN DIMENSION TABLE.
- REV. 1-19-99: CHANGED MINIMUM DEPTH TABLE AND DRAWING IN GENERAL TO REFLECT REDUCTION IN INVERT DROP ACROSS CATCH BASIN.
- REV. 12-18-99: MODIFIED CATCH BASIN DIMENSION TABLE.
- REV. 5-27-01: CHANGED PAY ITEMS IN GENERAL NOTE (I) ADDED CATCH BASIN MAXIMUM DEPTH NOTE.
- REV. 8-01-12: REVISED CATCH BASIN LID FOR COMPLIANCE WITH AASHTO LRFD BRIDGE DESIGN SPECIFICATIONS, 4TH EDITION WITH INTERIMS. REVISED REINFORCING, GENERAL NOTES AND ADDITIONAL MISC. DRAFTING EDITS.
- REV. 9-24-12: MODIFIED TOP SLAB AND MINIMUM DEPTH.
- REV. 3-11-14: ELIMINATED STIRRUPS.
- REV. 4-12-16: CORRECTED GENERAL NOTE (J)
- REV. 05-15-18: REVISED CATCH BASIN MINIMUM DESIGN DEPTH VALUES. CORRECTED STANDARD SPECIFICATIONS SECTION NUMBER TO 921 FOR NON-SHRINK GROUT. ADDED DIMENSION IN SECTION VIEW A-A FOR NOTE (B) CORRECTED REBAR PLACEMENT IN LIDS. ADDED DIMENSION IN SECTION VIEW A-A FOR MINIMUM DESIGN DEPTH. CHANGED "MOUNTABLE CURB" TO "SLOPING CURB". ADJUSTED BOX SECTION MINIMUM HEIGHTS.

□ MINOR REVISION -- FHWA APPROVAL NOT REQUIRED.

NOT TO SCALE

STATE OF TENNESSEE  
 DEPARTMENT OF  
 TRANSPORTATION

STANDARD PRECAST  
 48" CIRCULAR NO. 28  
 CATCH BASIN

(FOR USE WITH 4" SLOPING CURB)