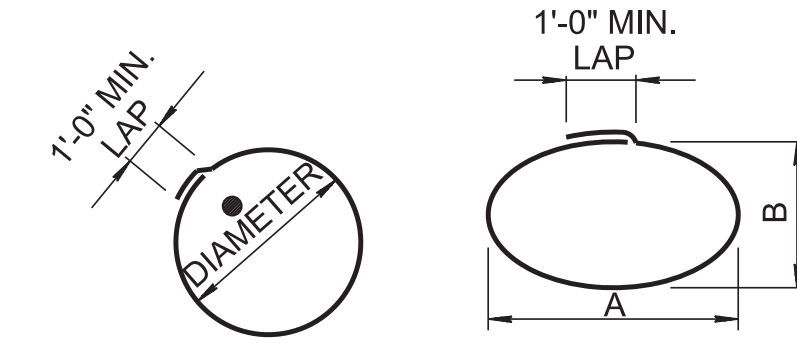


9/4/2019 1:23:29 PM P:\StandDraw\DESIGN STANDARDS\Standards Drawings\Standard Roadway Drawings - CURRENT\In Progress\110.00 Pipe Culverts and Endwalls IP\DP9C-20190628.dgn

| TYPICAL BARS FOR 2:1 SLOPE, CONCRETE PIPE ROUND INLET OR SIDE TAPERED INLET | | | | | | | | | | | | | | | | | | | | TYPICAL BARS FOR 2:1 SLOPE, CONCRETE PIPE ROUND INLET ONLY | | | | | | | | | | TYPICAL BARS FOR 2:1 SLOPE, CONCRETE PIPE SIDE TAPERED INLET ONLY | | | | | | | | | | | | | | | | | | | | | | | | | | | | | | | | | |
|---|------|--------|------|---------|------|---------|------|----------|------|----------|------|---------------------------|-------|----|---|---------------------------|------|------|----|--|------|------------|------|--------------------------|------|------|---|--------------------------|------|---|--------|---------------------------|-------|------|------|---------------------------|---|-------|------|--------------------------|--------|------|-------|---------|------|----------|---|-----------|------|---|------|------|------|-------|-----|---|-------|------|---|------|----------|------|------|
| PIPE | SKEW | BARS F | | BARS FB | | BARS FC | | BARS WXL | | BARS WXS | | SERIES BARS WYL (2 REQ'D) | | | | SERIES BARS WYS (2 REQ'D) | | | | 2 BARS WZL | | 2 BARS WZS | | SERIES BARS WL (1 REQ'D) | | | | SERIES BARS WS (1 REQ'D) | | | | SERIES BARS WLA (1 REQ'D) | | | | SERIES BARS WSA (1 REQ'D) | | | | SERIES BARS FA (1 REQ'D) | | | | BARS FD | | 4 BARS W | | 2 BARS TA | | | | | | | | | | | | | | | |
| | | T.L. | N.R. | T.L. | N.R. | T.L. | N.R. | T.L. | N.R. | T.L. | N.R. | A | B | C | X | T.L. | A | B | C | X | T.L. | A | B | C | X | T.L. | A | B | C | X | T.L. | A | B | C | X | T.L. | A | B | C | X | T.L. | T.L. | N.R. | A | B | T.L. | | | | | | | | | | | | | | | | | |
| 15" | 45° | 3'5" | 4 | 1'9" | 4 | 2'5" | 7 | 3'5" | 4 | 1'10" | 4 | 1'10" | 1'10" | 0" | 1 | 1'10" | 1'3" | 1'3" | 0" | 1 | 1'3" | 5'2" | 3'6" | 2'4" | 1'7" | 3" | 4 | 10'6" | 2'4" | 1'7" | 4 1/2" | 3 | 7'11" | 2'4" | 1'7" | 3" | 4 | 7'10" | 2'4" | 1'7" | 4 1/2" | 3 | 5'11" | 6'9" | 4'3" | 10" | 4 | 2'20" | 3'9" | 4 | 5'9" | 8'1" | 7'5" | 4'11" | 10" | 4 | 2'48" | 3'9" | 5 | 6'6" | 2'4 1/2" | 1'9" | 8'1" |



★ BARS "T" (SIZE NO. 4) ★ BARS "TA" (SIZE NO. 4)

VARIES IN LENGTH FROM DIM. "A" TO DIM. "B" IN INC. OF DIM. "C" X = NO. OF BARS REQD.

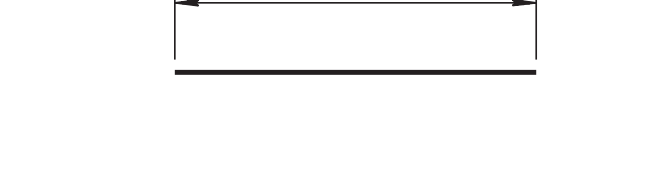


★ SERIES BARS "WL" OR "WS" (SIZE NO. 4)



★ BARS "F", "FB", "FC", "WXL", "WXS", "WZL", "WZS", "W" (SIZE NO. 4)

VARIES IN LENGTH FROM DIM. "A" TO DIM. "B" IN INC. OF DIM. "C" X = NO. OF BARS REQD.



★ SERIES BARS "WYL", "WYS", "WLA", "WSA" (SIZE NO. 4)

1'-6" MIN. WHEN REQUIRED 1'-6" MIN. WHEN REQUIRED
X=NO. OF BARS REQD.

★ SERIES BARS "FA" TOTAL LENGTH VARIES FROM DIM. "A" TO DIM. "B" IN INCREMENTS OF DIM. "C" (BEND IN FIELD AS REQUIRED) (SIZE NO. 6)



★ BARS "FD" (SIZE NO. 6)

REINFORCING STEEL CODE

| TYPE | SIZE | SERIES |
|------|------|--------|
| A | 5 | 06 |

★ NOTE: FOR TOTAL LENGTH SEE BILL OF STEEL ABOVE. ● DIAMETER= [STEEL PIPE SIZE + 6" CONCRETE PIPE SIZE + 12"]

NOTE: DIMENSIONS SHOWN ON THIS SHEET ARE OUTSIDE TO OUTSIDE OF BAR. STANDARD C.R.S.I. HOOK DETAILS SHALL APPLY, EXCEPT AS NOTED. NOTE: N.R. OR X = NO. REQUIRED. T.L. = TOTAL LENGTH

MINOR REVISION -- FHWA APPROVAL NOT REQUIRED

STATE OF TENNESSEE STANDARD DRAWING DEPARTMENT OF TRANSPORTATION

TYPE "B" CONCRETE ENDWALLS, BILL OF STEEL FOR CONCRETE PIPES (PIPE SIZES 15" TO 78", ALL SKEWS, 2:1 SLOPE)