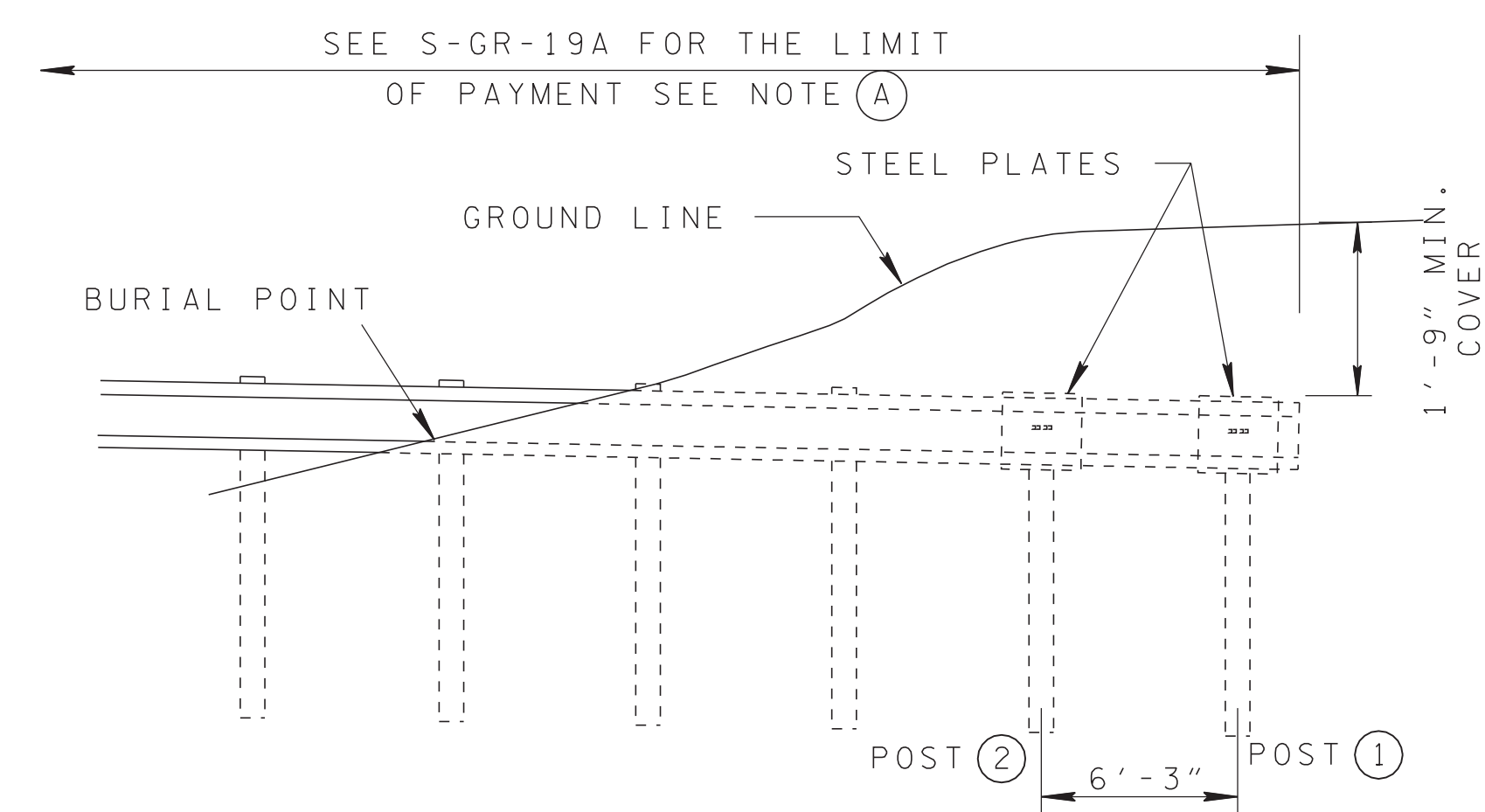
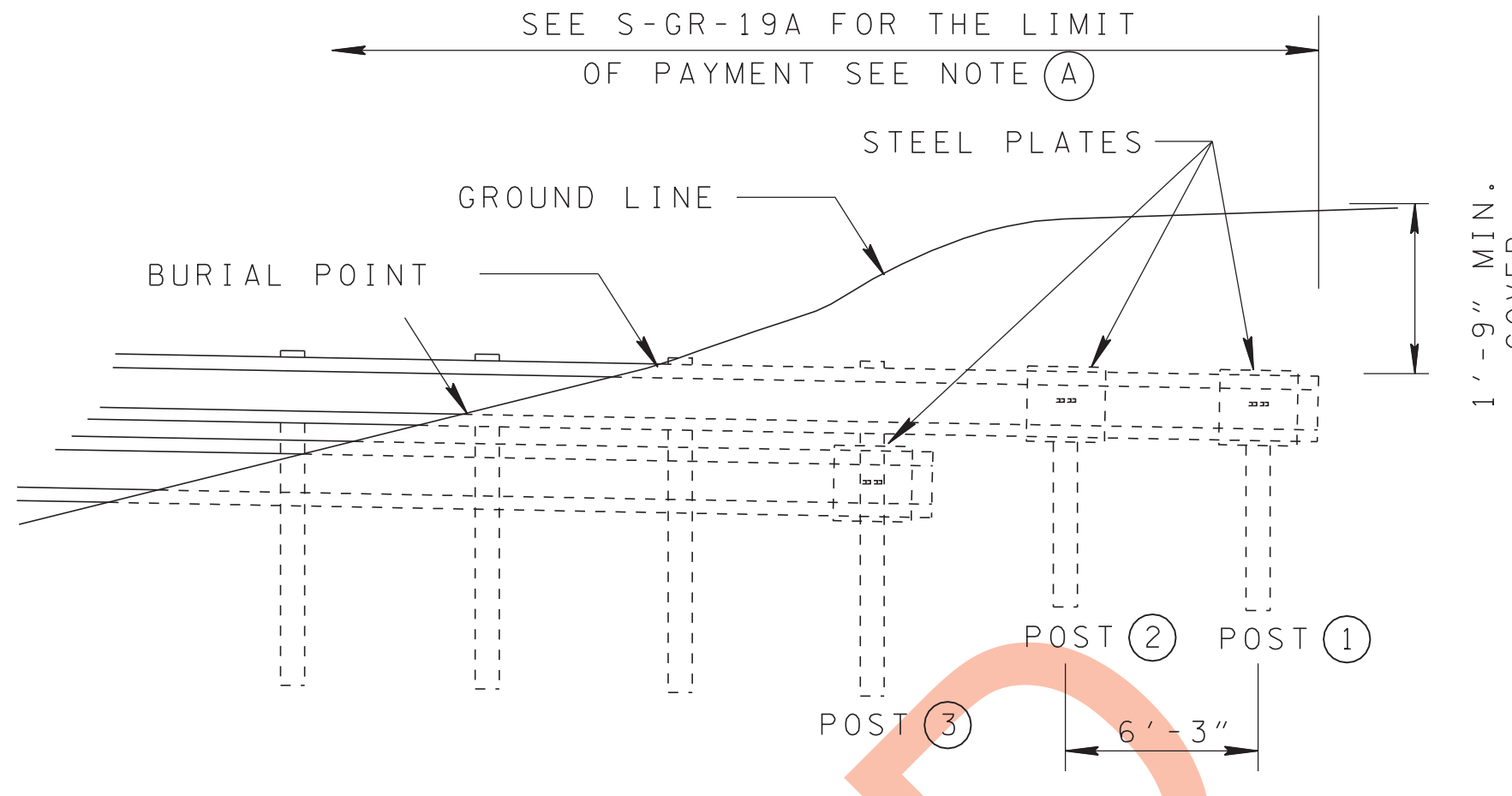


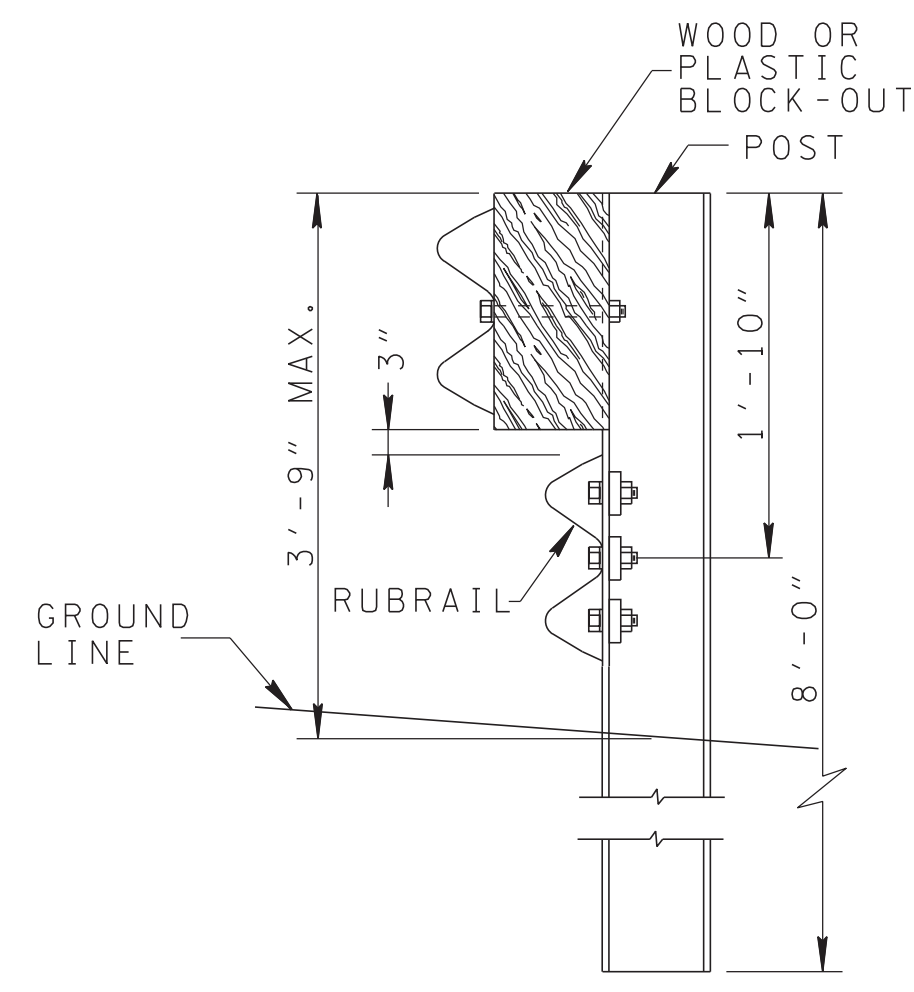
REV. 5-15-08: GENERAL MODIFICATIONS, ADDED POST HOLE PATTERN, MODIFIED GENERAL NOTES, DELETED (A), (B), (C), REMOVED SPECIAL NOTES.



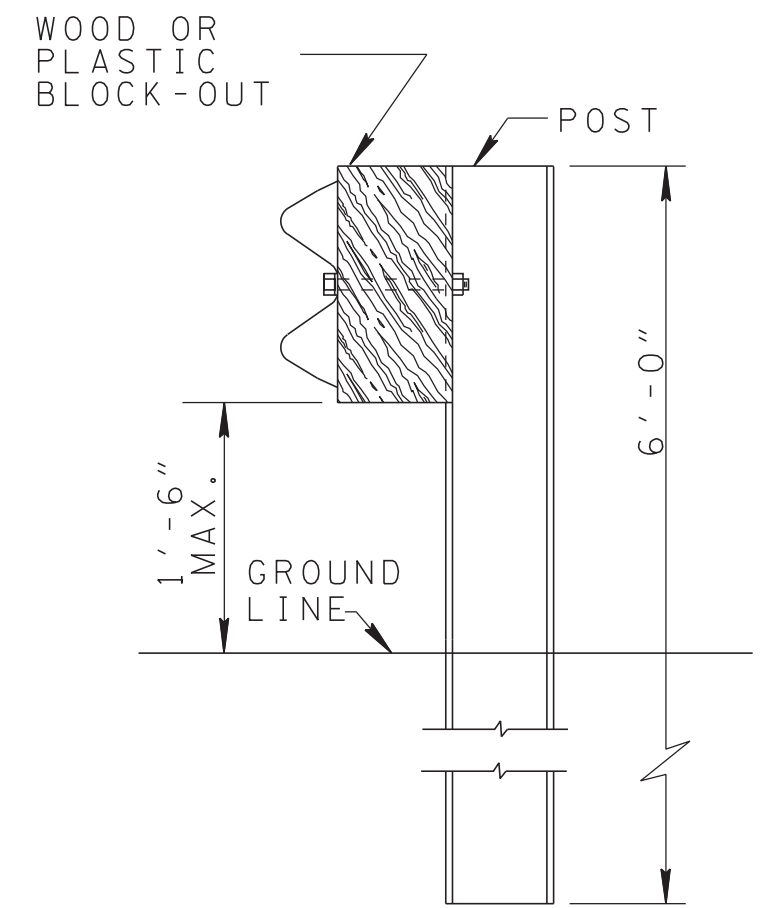
SINGLE RAIL ELEVATION VIEW



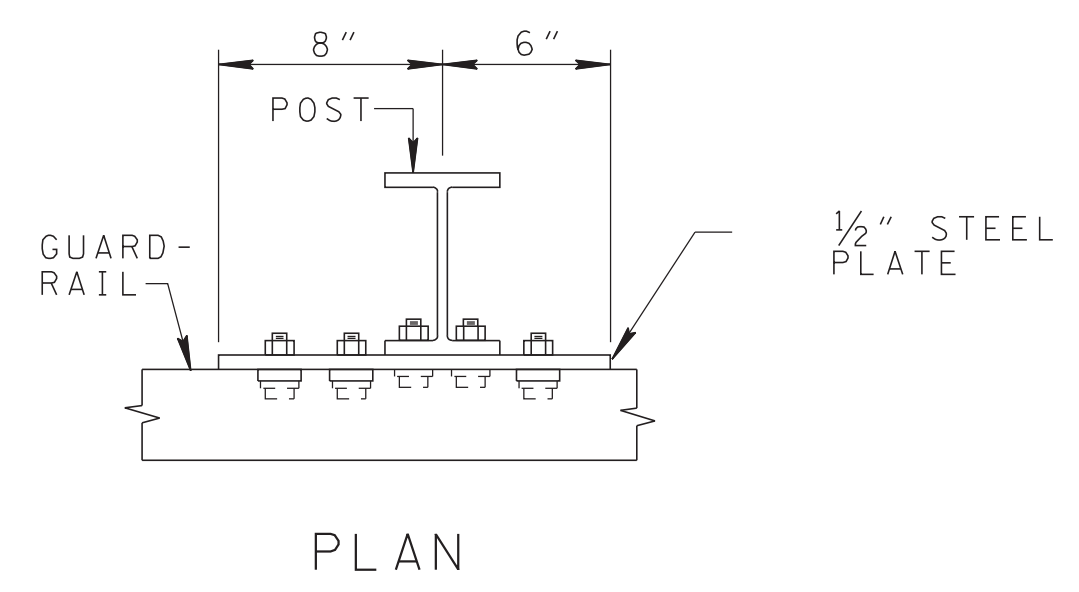
WITH RUB RAIL ELEVATION VIEW



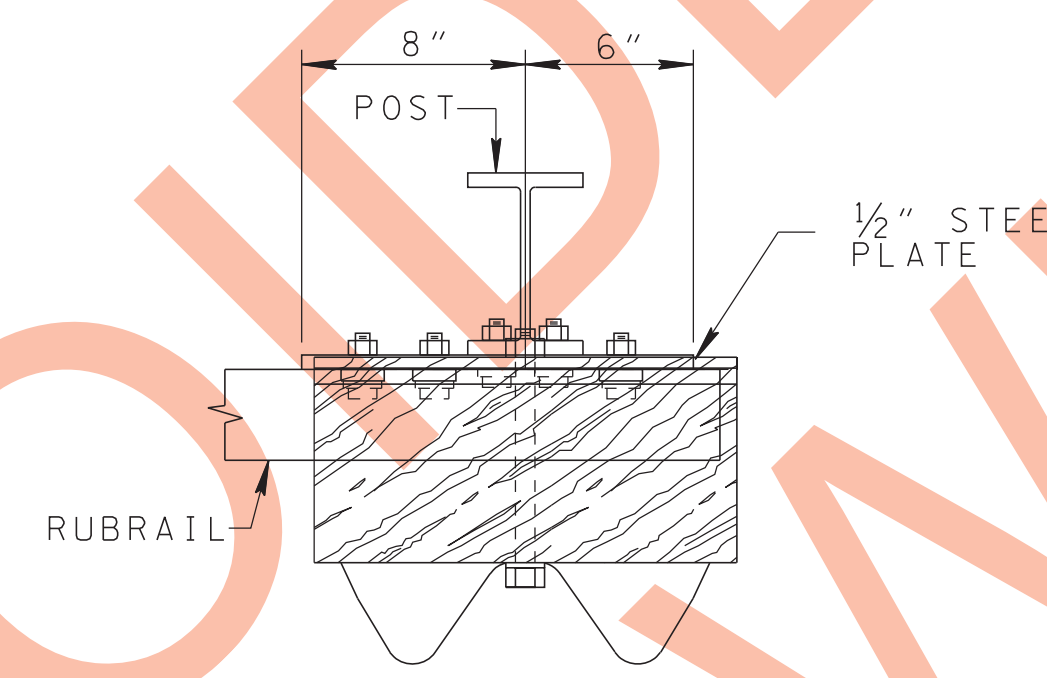
TYPICAL ELEVATION WITH RUBRAIL



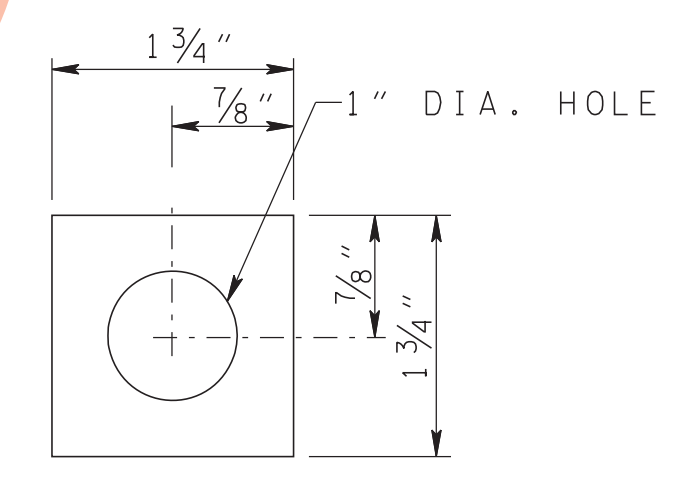
TYPICAL ELEVATION WITH SINGLE RAIL



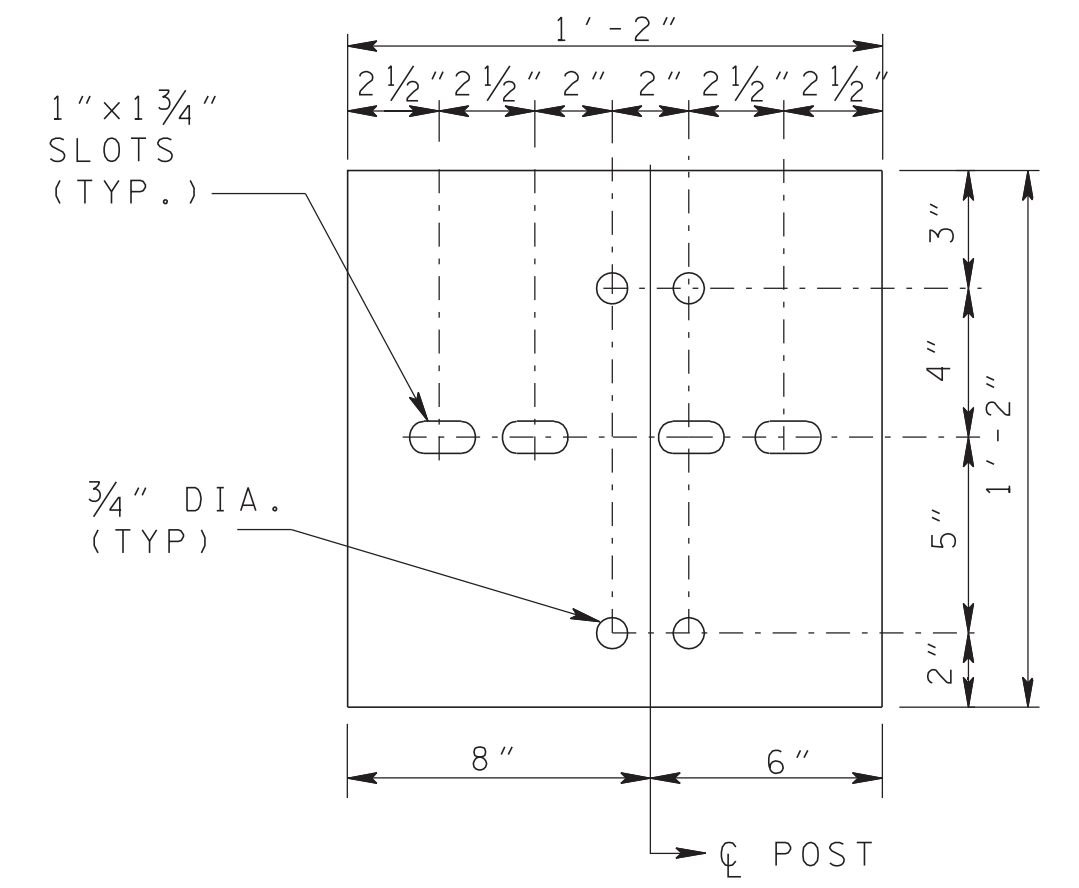
PLAN



PARTIAL PLAN



SQUARE WASHER  
NOTE: 1/4\"/>



STEEL PLATE

NOTE: 1/2\"/>

1" DIA. HOLES IN RAIL AND THROUGH POST FLANGE FOR 3RD BOLT; ATTACHED TO STEEL PLATE WITH 5/8" DIA. HEX BOLTS, 2" LONG WITH SQUARE WASHER

BOLT PLATE TO POST WITH 5/8" DIA. HEX BOLTS 2" LONG WITH HEX NUTS

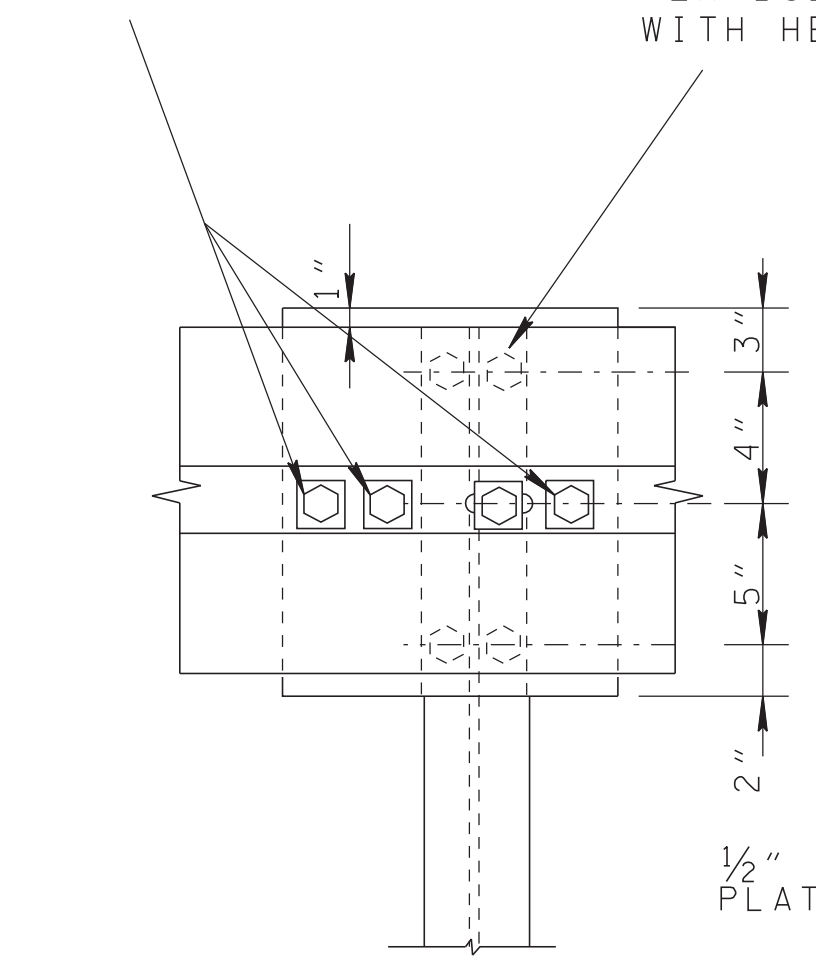
3/4" DIA. HOLE IN POST FLANGE EACH SIDE

1" DIA. HOLES IN RAIL AND THROUGH POST FLANGE; ATTACHED TO STEEL PLATE WITH 5/8" DIA. HEX BOLTS, 2" LONG WITH SQUARE WASHER

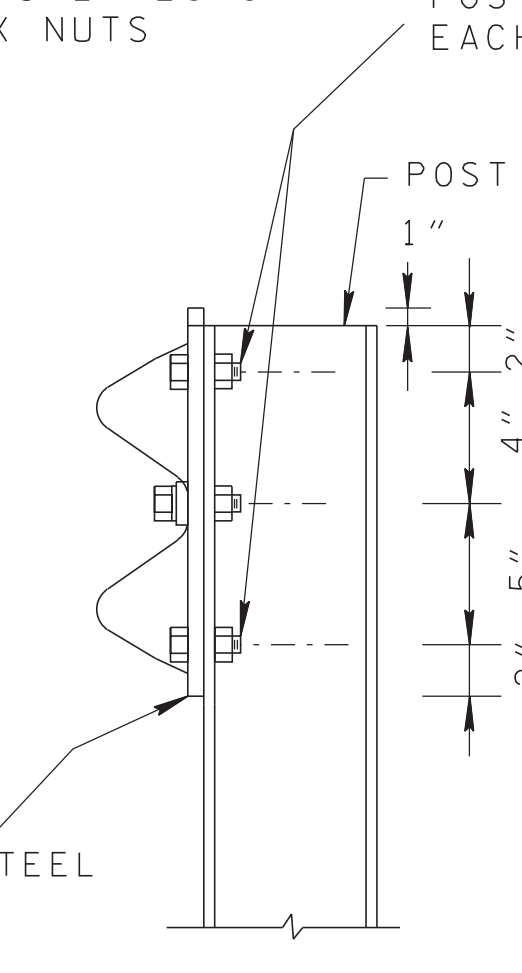
3/4" DIA. HOLE (TYP.)

1" DIA. HOLE

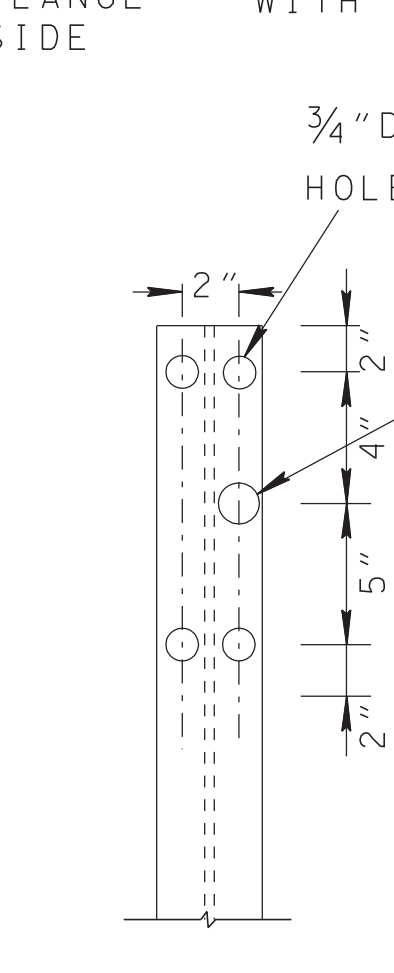
BOLT PLATE TO POST WITH 3 - 5/8" DIA. HEX BOLTS 2" LONG WITH HEX NUTS



FRONT VIEW

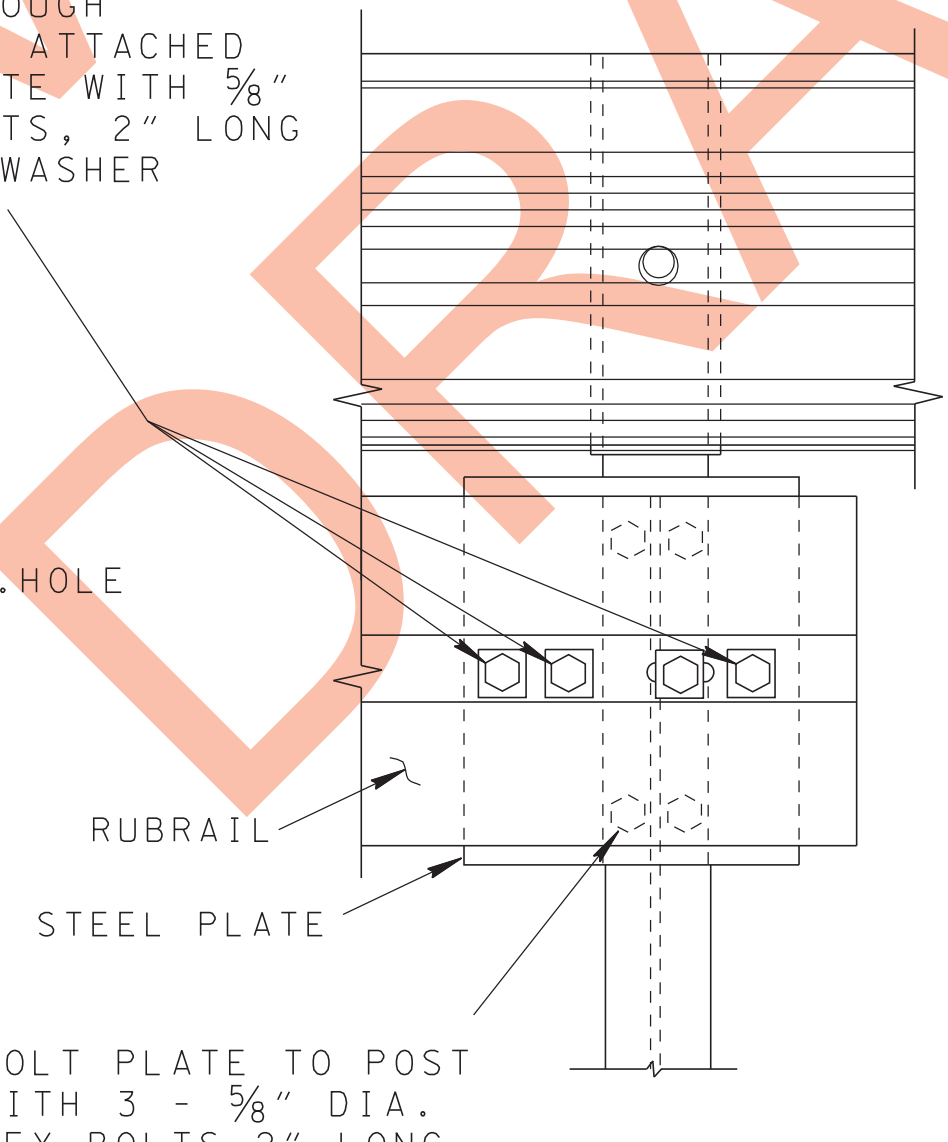


ELEVATION

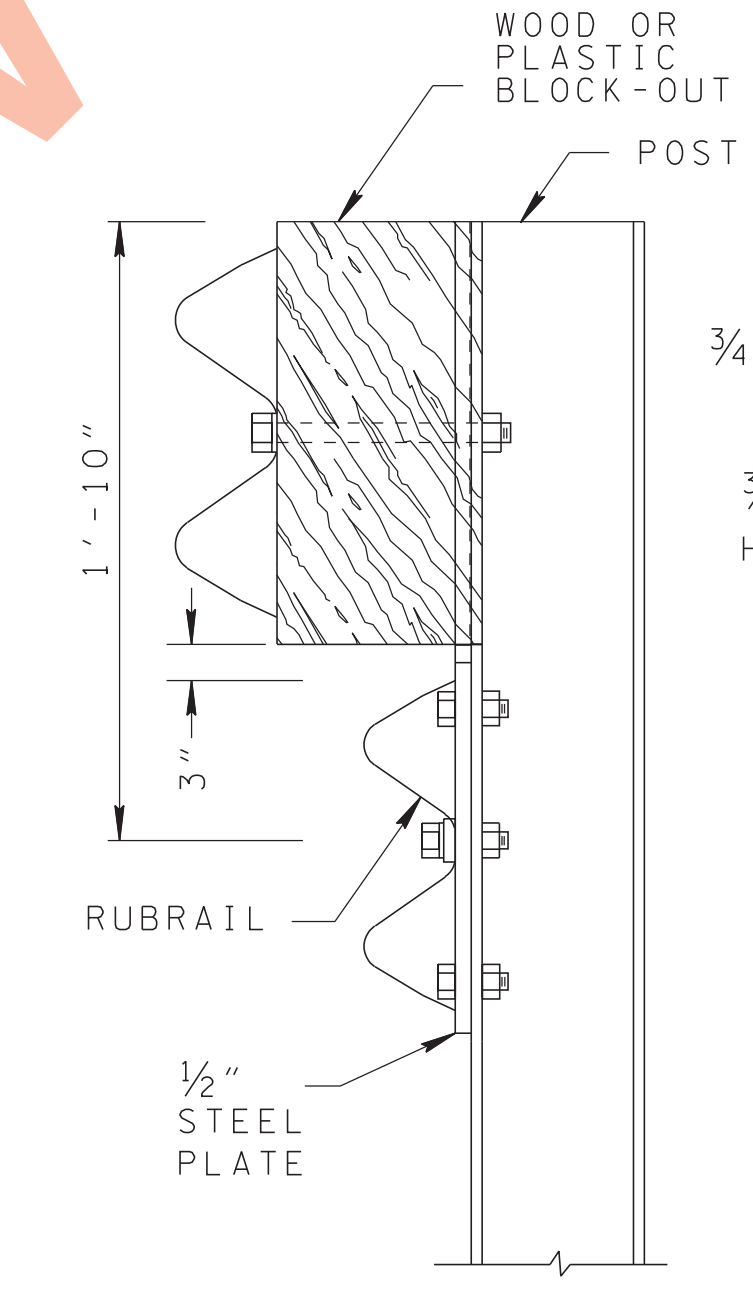


POST HOLE PATTERN

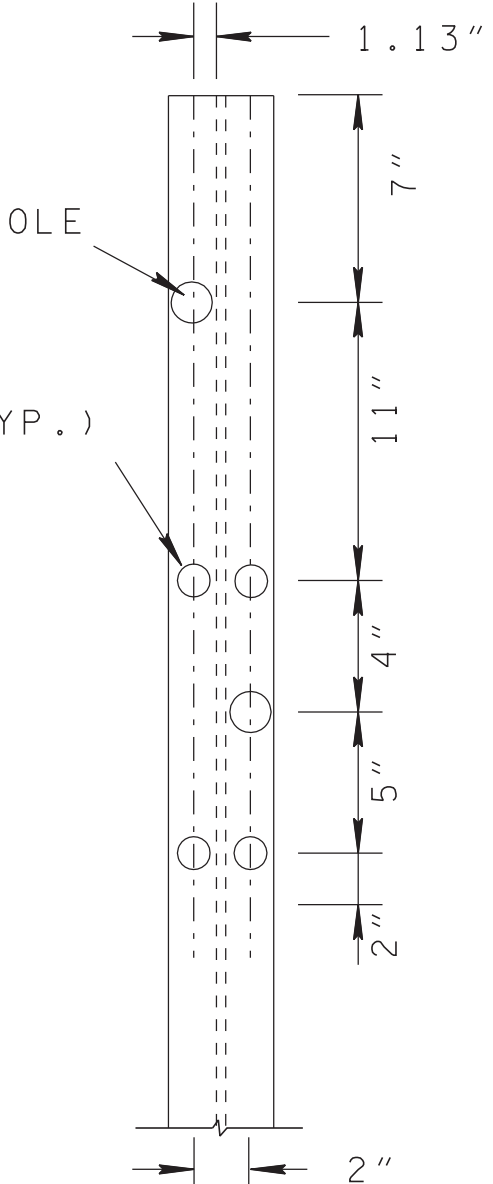
POST ① & ② ANCHOR DETAIL



FRONT VIEW



ELEVATION



POST HOLE PATTERN

POST ③ ANCHOR DETAIL

GENERAL NOTES

- (A) GUARDRAIL END TERMINAL SHALL BE CONSTRUCTED PER S-GR-19A.
- (B) UNIT PRICE FOR ITEM NO. 705-04.02 GUARDRAIL TERMINAL (TYPE 12) PER EACH SHALL INCLUDE COSTS OF FURNISHING AND INSTALLING ALL COMPONENTS AS DETAILED, COMPLETE IN PLACE.
- (C) ALL POSTS SHALL BE 6 FT. FOR SINGLE RAIL INSTALLATION AND 8' FOR WITH RUB RAIL

MINOR REVISION -- FHWA APPROVAL NOT REQUIRED.

STATE OF TENNESSEE  
DEPARTMENT OF TRANSPORTATION

TYPE 12 ALTERNATE  
BURIED IN  
BACKSLOPE  
GUARDRAIL TERMINAL

10-06-06 S-GR-19B