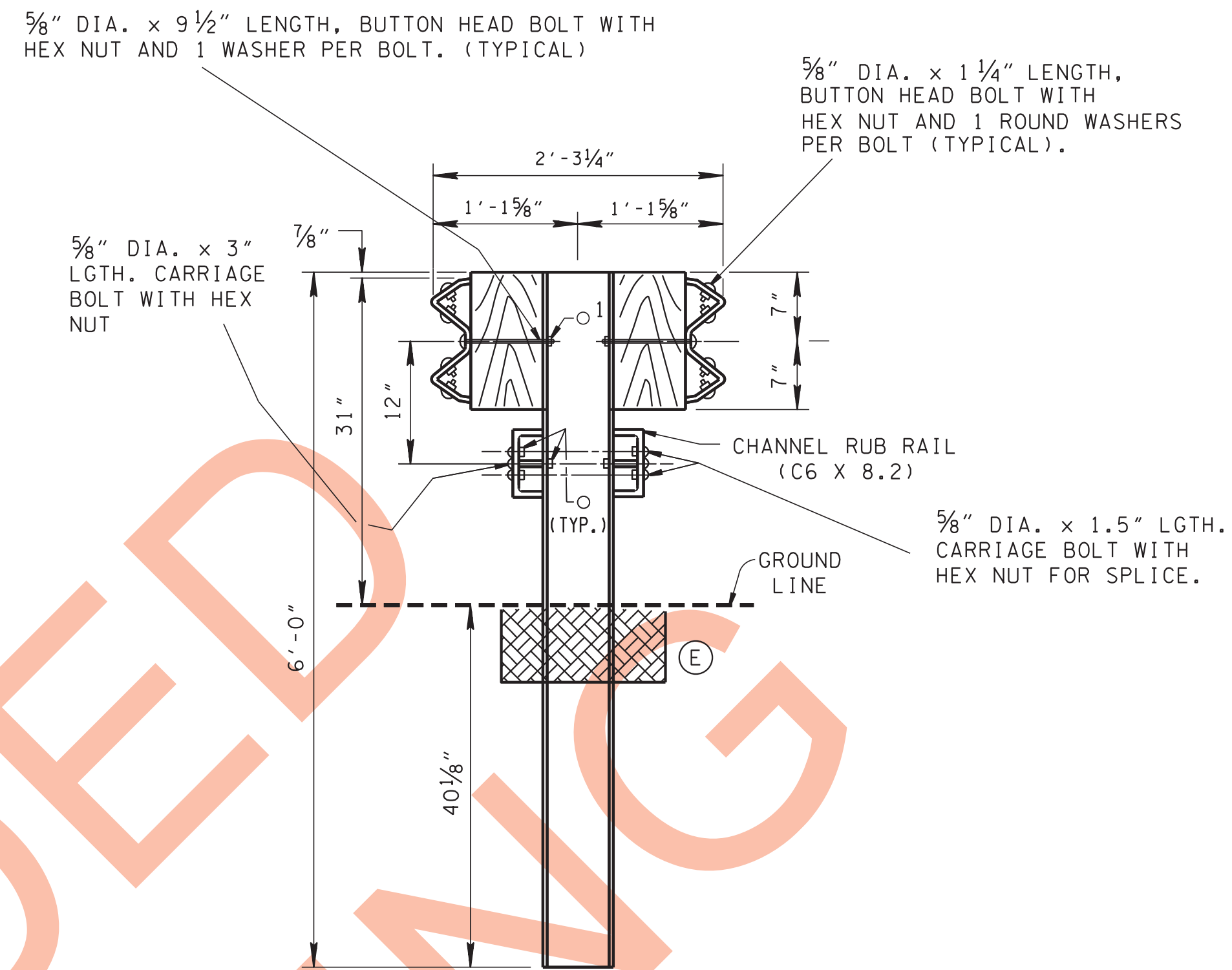


WOOD POSTS



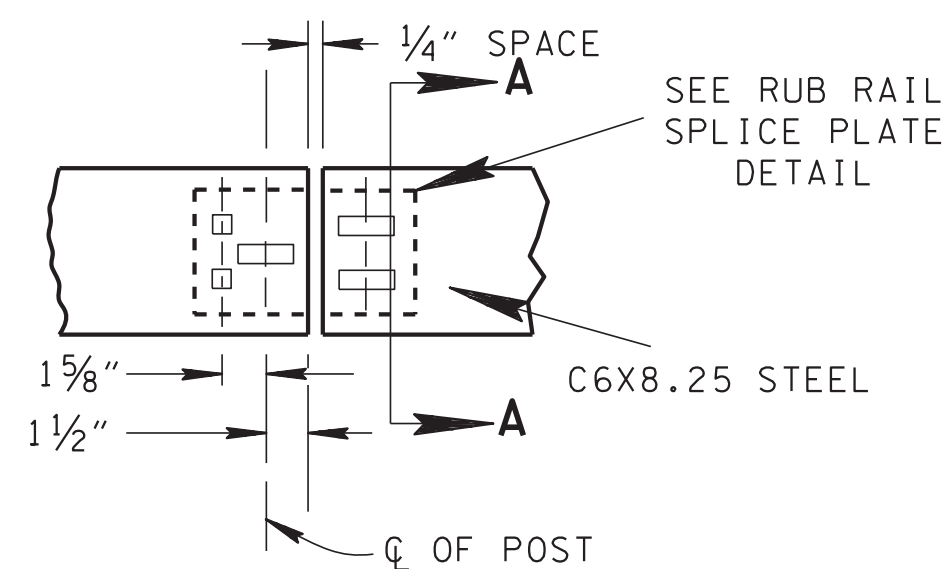
STEEL POSTS

MEDIAN DIVIDER GUARDRAIL

 COMPACTED EARTH  
NO ASPHALT

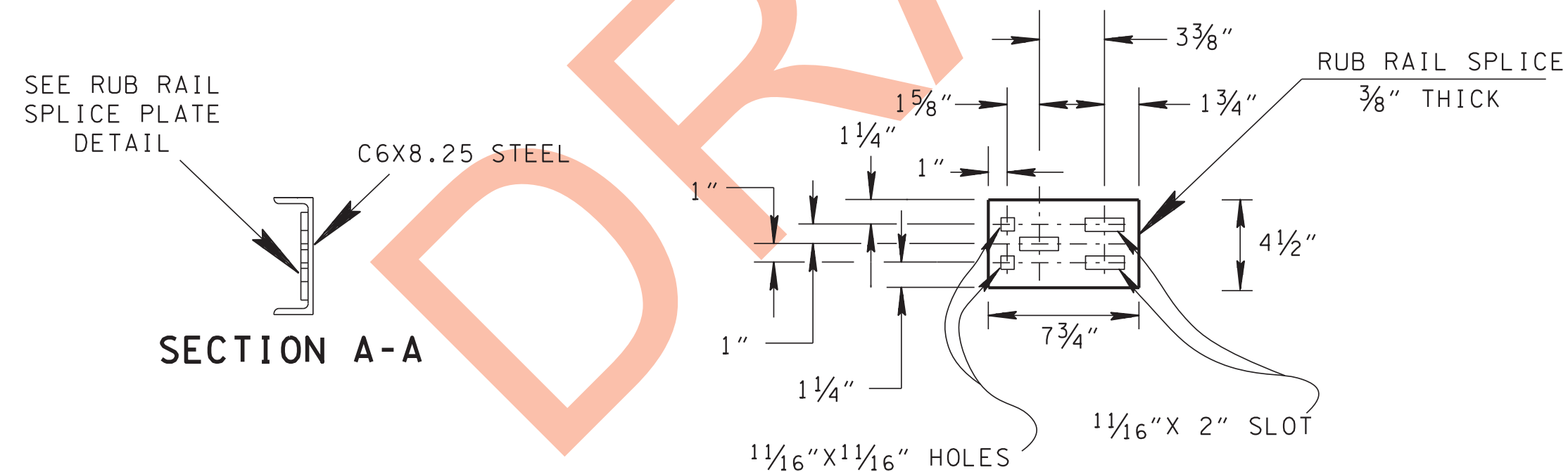
GENERAL NOTES

- (A) TO BE USED IN MEDIANS BETWEEN 10 TO 32 FEET ONLY WHERE CONCRETE MEDIAN BARRIER CAN NOT BE USED.
- (B) SEE S-GR31-1 FOR DETAILS NOT SHOWN.
- (C) RUB RAIL TO BE C6 X 8.25 STEEL MEMBER OR BENT PLATE STEEL WITH EQUIVALENT DIMENSIONS.
- (D) RUB RAIL SHALL BE ASTM A36 STEEL AND GALVANIZED IN ACCORDANCE WITH ASTM A123.
- (E) THE POST SHALL NOT BE PLACED IN ASPHALT. IF PLACED ON PAVED MEDIAN ASPHALT SHALL BE REMOVED AT POST LOCATIONS.
- (F) FOR CONNECTION TO CONCRETE MEDIAN BARRIER SEE S-GRC-3.
- (G) PAY ITEM NO:  
705-03.01 MEDIAN DIVIDER GUARDRAIL WITH RUB RAIL PER LF



CHANNEL RUB RAIL SPLICE DETAIL  
CHANNEL RUB RAIL SPLICES PERMITTED ONLY AT POST

NOTE: HOLES IN RUB-RAIL SAME AS IN SPICE PLATE



NOTE: HOLES IN RUB-RAIL SAME AS IN SPICE PLATE  
RUB RAIL SPLICE PLATE DETAIL