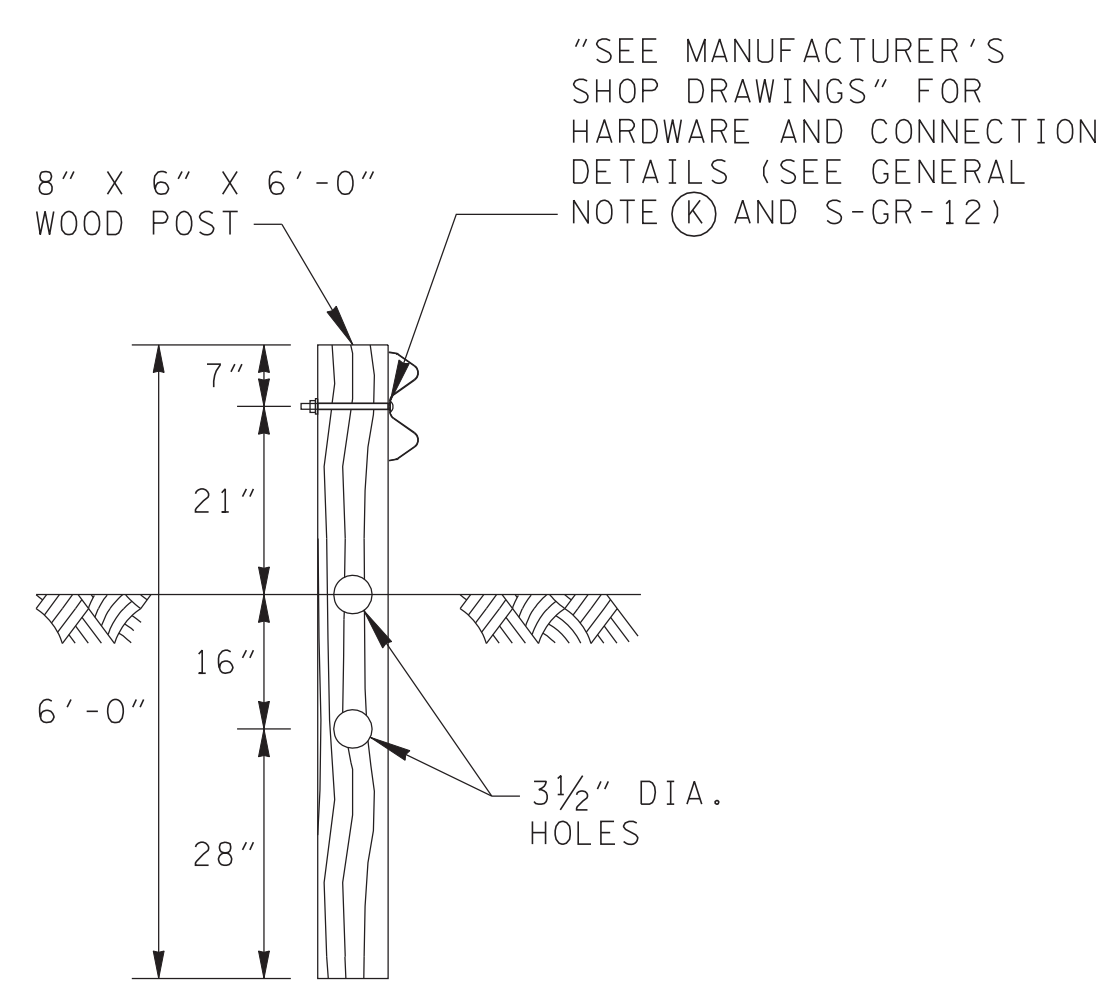
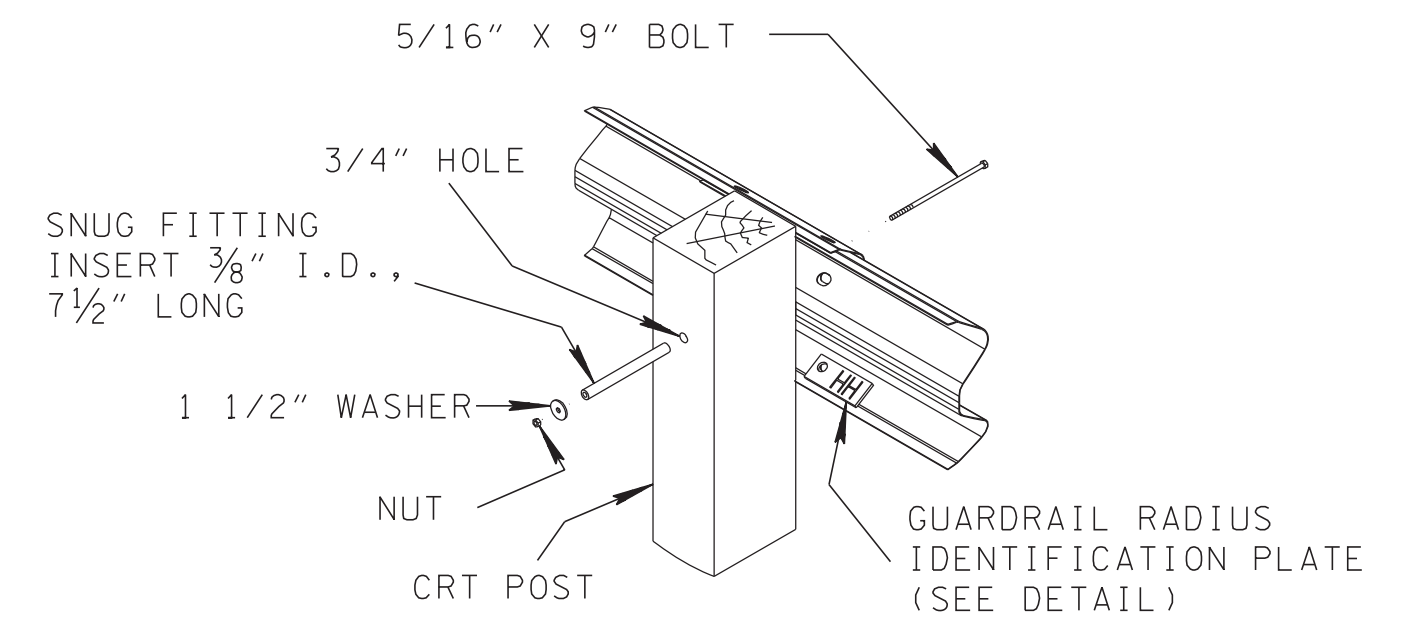
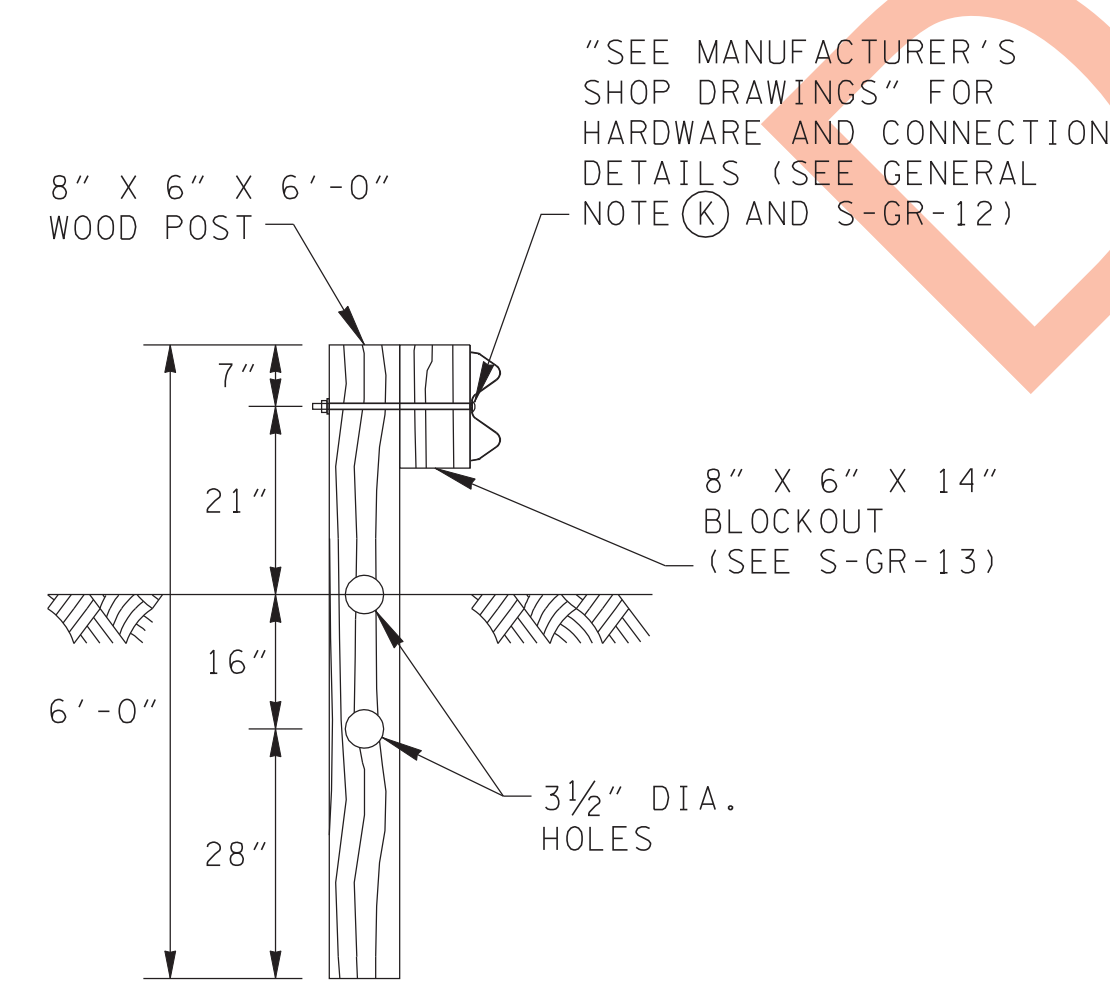


RADIUS	NUMBER OF CRT POSTS (SEE NOTE J)	CLEAR AREA	
		L	W
17'-0"	6	30'	15'
25'-6"	8	40'	20'
35'-0"	11	50'	20'



CRT POST 1 DETAIL



CRT POST 2 WITH BLOCK DETAIL

- GENERAL NOTES**
- (A) THIS STANDARD DRAWING IS TO BE USED AT INTERSECTIONS WITH RADII OF 35 FEET OR LESS. DESIGNER IS TO VERIFY THE ENTIRE LENGTH CAN BE CONSTRUCTED WITHIN THE PROPOSED RIGHT-OF-WAY.
 - (B) SEE STANDARD DRAWINGS (S-GR-22, S-GR-23, S-GR-23A) FOR GUARDRAIL CONNECTION TO BRIDGE RAIL AND CONCRETE BARRIER.
 - (C) THE SLOPE FROM THE EDGE OF THE SHOULDER INTO THE FACE OF GUARDRAIL SHOULD NOT BE STEEPER THAN 10(H):1(V).
 - (D) SEE STANDARD DRAWINGS (S-GR-12, S-GR-13, S-GR-13A, S-GR-14) FOR POSTS, RAIL, AND HARDWARE STANDARDS FOR CONSTRUCTION.
 - (E) USE APPROPRIATE END TERMINAL PER STANDARD DRAWINGS (S-GR-19, S-GR-26, S-GR-43).
 - (F) FOR THE 8'-6" RADIUS, FIVE POSTS ARE REQUIRED INCLUDING THE POST AT POINT B.
 - (G) THE CLEAR AREA BEHIND THE GUARDRAIL SHALL REMAIN UNOBSTRUCTED AND UNENCUMBERED TO ALLOW THE GUARDRAIL TO FUNCTION PROPERLY. OBSTACLES (I.E., ENDWALLS, SIGNS, DITCHES, ETC.) WITHIN THIS AREA MUST BE REMOVED, RELOCATED, OR REDESIGNED.
 - (H) W-BEAMS SHALL BE SHOP BENT AS REQUIRED.
 - (I) LIMIT OF CURVED GUARDRAIL IS FROM POINT A TO POINT B.
 - (J) FEWER CRT POST ARE REQUIRED FOR SMALLER RADII; INCLUDE CRT POST AT POINT B. ATTACH GUARDRAIL TO POST WITH A 5/16" X 9" LONG BOLT, A 3/8" I.D. X 7 1/2" SNUG FITTING INSERT AND A 1 1/2" WASHER WITH NUT ON BACK OF POST.
 - (K) THE FLAT WASHER IS USED UNDER THE NUT, BEHIND THE POST ONLY. NO WASHER IS USED AT THE RAIL.