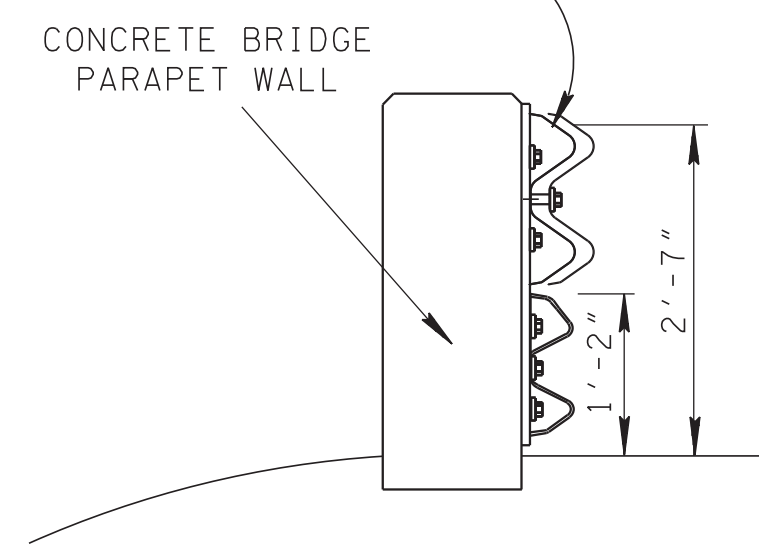


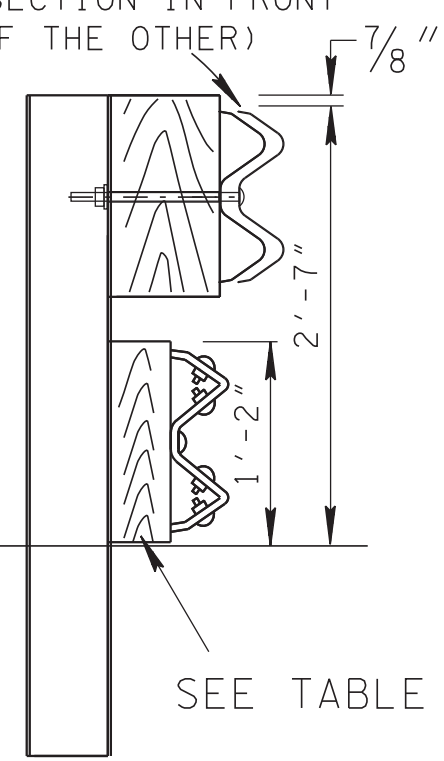
PLAN

12'-6" UPPER SECTION OF W-BEAM GUARDRAIL WHICH IS TO BE NESTED (TWO SECTIONS THICK WITH ONE SECTION IN FRONT OF THE OTHER)



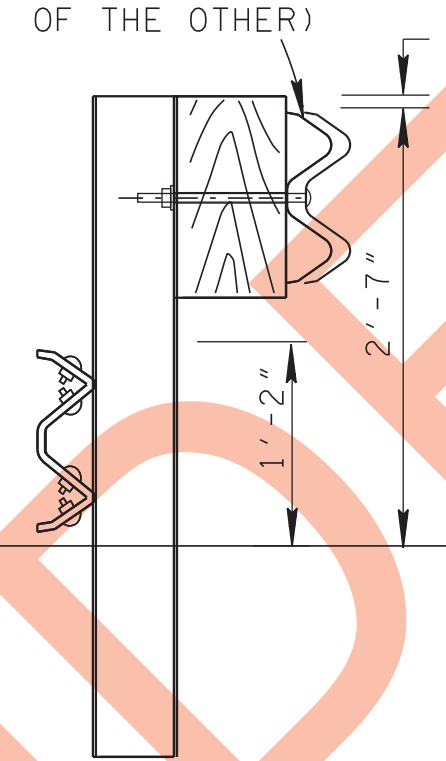
SECTION A-A

12'-6" UPPER SECTION OF W-BEAM GUARDRAIL WHICH IS TO BE NESTED (TWO SECTIONS THICK WITH ONE SECTION IN FRONT OF THE OTHER)

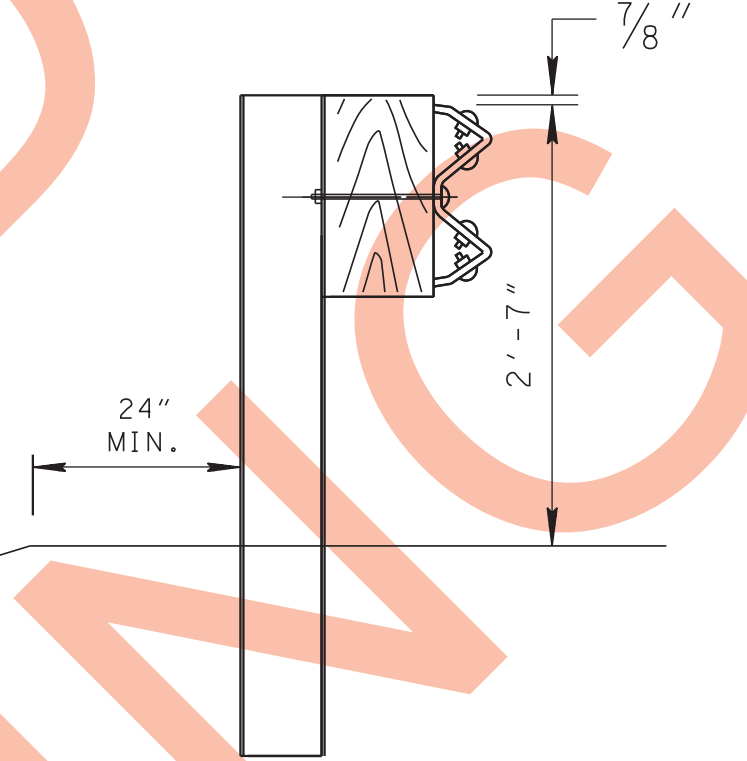


SECTION B-B

12'-6" UPPER SECTION OF W-BEAM GUARDRAIL WHICH IS TO BE NESTED (TWO SECTIONS THICK WITH ONE SECTION IN FRONT OF THE OTHER)



SECTION C-C

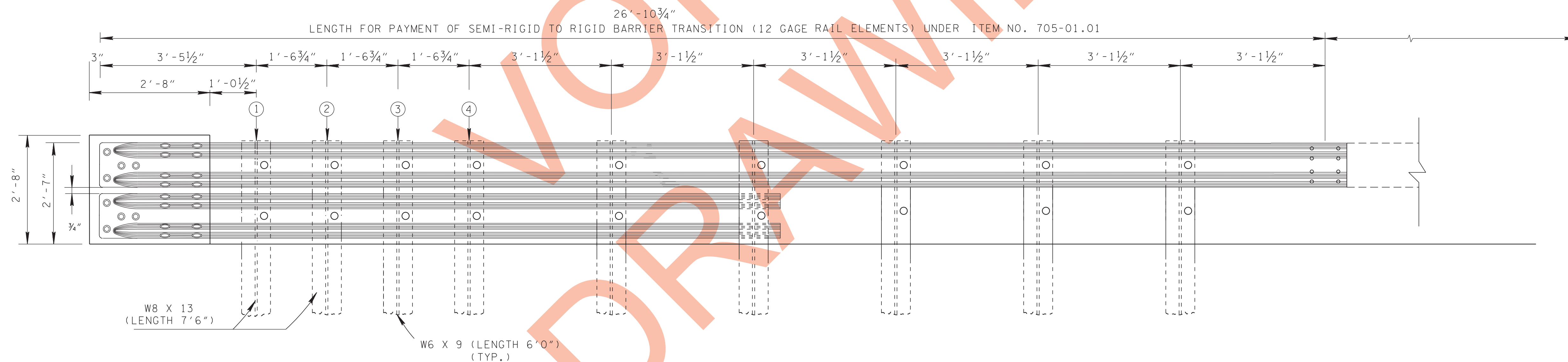


SECTION D-D

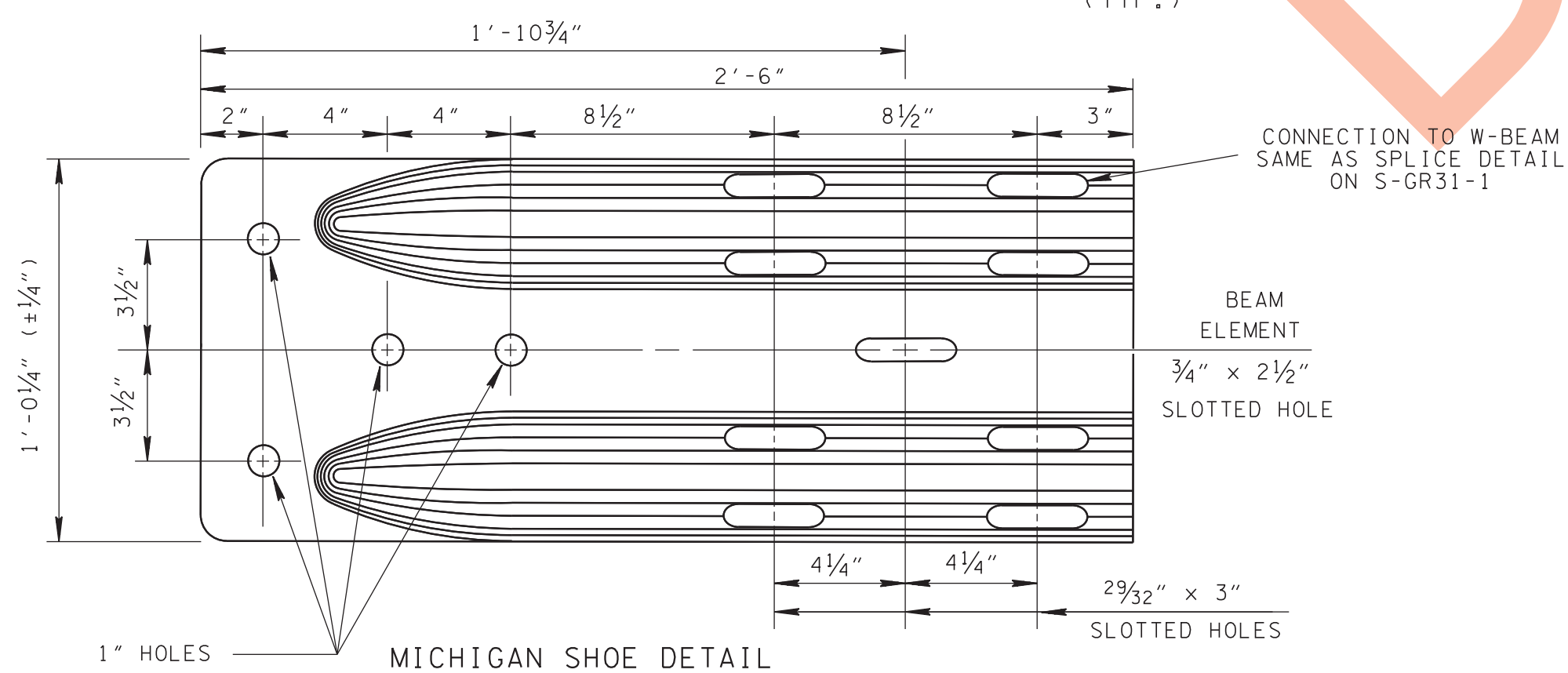
TABLE A

GUARDRAIL RUB-RAIL BLOCK-OUT THICKNESS TABLE	
POST	THICKNESS
①	0.556'
②	0.446'
③	0.338'
④	0.230'
⑤	NO BLOCK

TREATED TIMBER 14 1/2" X 4" BLOCK-OUT



ELEVATION



GENERAL NOTES

- (A) TO BE USED AT ALL GUARDRAIL TRANSITIONS TO BRIDGE RAIL OR CONCRETE BARRIER WALLS WITH ADT>400 VEH/DAY.
- (B) CONNECTION TO BRIDGE RAIL SHOWN; FOR CONNECTION TO CONCRETE BARRIER WALLS, SEE S-SSMB-6.
- (C) BOLTS FROM MICHIGAN SHOE TO BRIDGE RAIL TO BE AS SHOWN ON STRUCTURE'S BRIDGE RAIL STANDARD DRAWINGS.
- (D) SEE S-GR31-1 FOR ALL OTHER DETAILS AND MATERIAL PROPERTIES NOT SHOWN.
- (E) RUB RAIL IS ONLY REQUIRED AT BRIDGES.
- (F) PAY ITEM 705-01.01 GUARDRAIL AT BRIDGE ENDS.
- (G) SEE S-PL-3 FOR MINIMUM LENGTH AND DELINEATOR REQUIREMENTS.