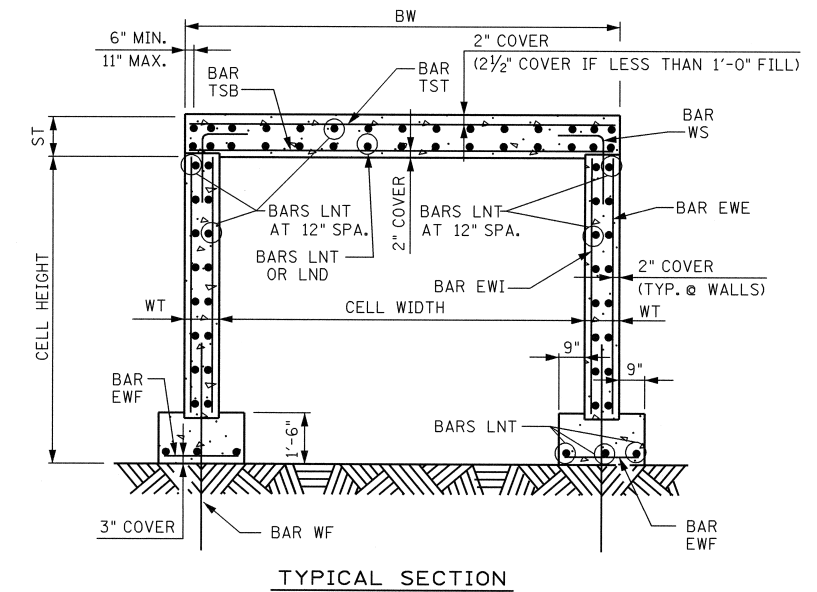


| CONST. NO. | | | |
|-------------|------|-----------|-------------------|
| PROJECT NO. | YEAR | SHEET NO. | |
| | 2010 | | |
| REVISIONS | | | |
| NO. | DATE | BY | BRIEF DESCRIPTION |
| | | | |
| | | | |
| | | | |
| | | | |
| | | | |
| | | | |
| | | | |

| 1 @ 18 x 9 REINFORCED CONCRETE SLAB BRIDGE | | | | | | | | | | | | | | | | | | | | | | | | | | |
|--------------------------------------------|------------|-----------|-----------|----------|-----|----------------|---------------|----------|-----|----------------|---------------|----------|-----|----------------|---------------|----------|-----|----------------|---------------|----------|----------|---------|---------|----------|-------------------|-----------------------|
| Fill Height ft. | Dimensions | | | Bars TST | | | | Bars TSB | | | | Bars EWE | | | | Bars EWI | | | | Bars LNT | Bars LND | Bars WS | Bars WF | Bars EWF | Concrete CY/LF | Reinf. Steel LB/LF |
| | ST in. | WT in. | BW ft. | Size | No. | Spacing in. | Length ft. | Size | No. | Spacing in. | Length ft. | Size | No. | Spacing in. | Length ft. | Size | No. | Spacing in. | Length ft. | | | | | | | |
| No Fill | 11.5 | 8 | 19.33 | 4 | 1 | 12 | 18.83 | 10 | 2 | 6 | 18.83 | 4 | 2 | 12 | 7.50 | 5 | 2 | 12 | 7.50 | 53 | 36 | 2 | 2 | 1.67 | 1.30 | 334 |
| 3 | 15 | 8 | 19.33 | 4 | 1 | 12 | 18.83 | 8 | 2 | 6 | 18.83 | 4 | 2 | 12 | 7.50 | 5 | 2 | 12 | 7.50 | 53 | 36 | 2 | 2 | 1.67 | 1.51 | 273 |
| 5 | 15 | 8 | 19.33 | 4 | 1 | 12 | 18.83 | 9 | 2 | 6 | 18.83 | 4 | 2 | 12 | 7.50 | 5 | 2 | 12 | 7.50 | 72 | 0 | 2 | 2 | 1.67 | 1.51 | 275 |
| 10 | 15 | 8 | 19.33 | 4 | 1 | 12 | 18.83 | 10 | 2 | 6 | 18.83 | 4 | 2 | 12 | 7.50 | 5 | 2 | 12 | 7.50 | 72 | 0 | 2 | 2 | 1.67 | 1.51 | 309 |
| 20 | 20 | 8 | 19.33 | 4 | 1 | 12 | 18.83 | 11 | 2 | 6 | 18.83 | 4 | 2 | 12 | 7.50 | 5 | 4 | 6 | 7.50 | 72 | 0 | 2 | 2 | 1.67 | 1.80 | 363 |
| 30 | 29 | 9 | 19.50 | 4 | 1 | 12 | 19.00 | 10 | 2 | 6 | 19.00 | 4 | 2 | 12 | 7.50 | 5 | 4 | 6 | 7.50 | 72 | 0 | 2 | 2 | 1.75 | 2.41 | 327 |
| 40 | 36 | 11 | 19.83 | 4 | 1 | 12 | 19.33 | 10 | 2 | 6 | 19.33 | 4 | 2 | 12 | 7.50 | 5 | 2 | 12 | 7.50 | 72 | 0 | 2 | 2 | 1.92 | 2.98 | 314 |
| 50 | 41 | 12 | 20.00 | 4 | 1 | 12 | 19.50 | 10 | 2 | 6 | 19.50 | 4 | 2 | 12 | 7.50 | 5 | 2 | 12 | 7.50 | 74 | 0 | 2 | 2 | 2.00 | 3.36 | 317 |
| 60 | 46 | 13 | 20.17 | 4 | 1 | 12 | 19.67 | 10 | 2 | 6 | 19.67 | 4 | 2 | 12 | 7.50 | 5 | 2 | 12 | 7.50 | 74 | 0 | 2 | 2 | 2.08 | 3.75 | 319 |

| 1 @ 18 x 10 REINFORCED CONCRETE SLAB BRIDGE | | | | | | | | | | | | | | | | | | | | | | | | | | |
|---------------------------------------------|------------|-----------|-----------|----------|-----|----------------|---------------|----------|-----|----------------|---------------|----------|-----|----------------|---------------|----------|-----|----------------|---------------|----------|----------|---------|---------|----------|-------------------|-----------------------|
| Fill Height ft. | Dimensions | | | Bars TST | | | | Bars TSB | | | | Bars EWE | | | | Bars EWI | | | | Bars LNT | Bars LND | Bars WS | Bars WF | Bars EWF | Concrete CY/LF | Reinf. Steel LB/LF |
| | ST in. | WT in. | BW ft. | Size | No. | Spacing in. | Length ft. | Size | No. | Spacing in. | Length ft. | Size | No. | Spacing in. | Length ft. | Size | No. | Spacing in. | Length ft. | | | | | | | |
| No Fill | 11.5 | 8 | 19.33 | 4 | 1 | 12 | 18.83 | 10 | 2 | 6 | 18.83 | 4 | 2 | 12 | 8.50 | 5 | 2 | 12 | 8.50 | 57 | 36 | 2 | 2 | 1.67 | 1.35 | 340 |
| 3 | 15 | 8 | 19.33 | 4 | 1 | 12 | 18.83 | 8 | 2 | 6 | 18.83 | 4 | 2 | 12 | 8.50 | 5 | 2 | 12 | 8.50 | 57 | 36 | 2 | 2 | 1.67 | 1.56 | 279 |
| 5 | 15 | 8 | 19.33 | 4 | 1 | 12 | 18.83 | 9 | 2 | 6 | 18.83 | 4 | 2 | 12 | 8.50 | 6 | 2 | 12 | 8.50 | 76 | 0 | 2 | 2 | 1.67 | 1.56 | 289 |
| 10 | 15 | 8 | 19.33 | 4 | 1 | 12 | 18.83 | 10 | 2 | 6 | 18.83 | 4 | 2 | 12 | 8.50 | 5 | 4 | 6 | 8.50 | 76 | 0 | 2 | 2 | 1.67 | 1.56 | 333 |
| 20 | 20 | 9 | 19.50 | 4 | 1 | 12 | 19.00 | 11 | 2 | 6 | 19.00 | 4 | 2 | 12 | 8.50 | 6 | 4 | 6 | 8.50 | 76 | 0 | 2 | 2 | 1.75 | 1.93 | 389 |
| 30 | 29 | 11 | 19.83 | 4 | 1 | 12 | 19.33 | 10 | 2 | 6 | 19.33 | 4 | 2 | 12 | 8.50 | 5 | 4 | 6 | 8.50 | 76 | 0 | 2 | 2 | 1.92 | 2.62 | 338 |
| 40 | 36 | 12 | 20.00 | 4 | 1 | 12 | 19.50 | 10 | 2 | 6 | 19.50 | 4 | 2 | 12 | 8.50 | 5 | 4 | 6 | 8.50 | 78 | 0 | 2 | 2 | 2.00 | 3.13 | 341 |
| 50 | 41 | 13 | 20.17 | 4 | 1 | 12 | 19.67 | 10 | 2 | 6 | 19.67 | 4 | 2 | 12 | 8.50 | 6 | 2 | 12 | 8.50 | 78 | 0 | 2 | 2 | 2.08 | 3.52 | 333 |
| 60 | 46 | 15 | 20.50 | 4 | 1 | 12 | 20.00 | 10 | 2 | 6 | 20.00 | 4 | 2 | 12 | 8.50 | 5 | 2 | 12 | 8.50 | 78 | 0 | 2 | 2 | 2.25 | 4.00 | 328 |

| 1 @ 18 x 11 REINFORCED CONCRETE SLAB BRIDGE | | | | | | | | | | | | | | | | | | | | | | | | | | |
|---------------------------------------------|------------|-----------|-----------|----------|-----|----------------|---------------|----------|-----|----------------|---------------|----------|-----|----------------|---------------|----------|-----|----------------|---------------|----------|----------|---------|---------|----------|-------------------|-----------------------|
| Fill Height ft. | Dimensions | | | Bars TST | | | | Bars TSB | | | | Bars EWE | | | | Bars EWI | | | | Bars LNT | Bars LND | Bars WS | Bars WF | Bars EWF | Concrete CY/LF | Reinf. Steel LB/LF |
| | ST in. | WT in. | BW ft. | Size | No. | Spacing in. | Length ft. | Size | No. | Spacing in. | Length ft. | Size | No. | Spacing in. | Length ft. | Size | No. | Spacing in. | Length ft. | | | | | | | |
| No Fill | 11.5 | 8 | 19.33 | 4 | 1 | 12 | 18.83 | 10 | 2 | 6 | 18.83 | 4 | 2 | 12 | 9.50 | 5 | 2 | 12 | 9.50 | 61 | 36 | 2 | 2 | 1.67 | 1.40 | 346 |
| 3 | 15 | 8 | 19.33 | 4 | 1 | 12 | 18.83 | 8 | 2 | 6 | 18.83 | 4 | 2 | 12 | 9.50 | 6 | 2 | 12 | 9.50 | 61 | 36 | 2 | 2 | 1.67 | 1.60 | 294 |
| 5 | 15 | 8 | 19.33 | 4 | 1 | 12 | 18.83 | 9 | 2 | 6 | 18.83 | 4 | 2 | 12 | 9.50 | 5 | 4 | 6 | 9.50 | 80 | 0 | 2 | 2 | 1.67 | 1.60 | 307 |
| 10 | 15 | 8 | 19.33 | 4 | 1 | 12 | 18.83 | 10 | 2 | 6 | 18.83 | 4 | 2 | 12 | 9.50 | 6 | 4 | 6 | 9.50 | 80 | 0 | 2 | 2 | 1.67 | 1.60 | 359 |
| 20 | 20 | 10 | 19.67 | 4 | 1 | 12 | 19.17 | 11 | 2 | 6 | 19.17 | 4 | 2 | 12 | 9.50 | 6 | 4 | 6 | 9.50 | 80 | 0 | 2 | 2 | 1.83 | 2.06 | 401 |
| 30 | 29 | 12 | 20.00 | 4 | 1 | 12 | 19.50 | 10 | 2 | 6 | 19.50 | 4 | 2 | 12 | 9.50 | 6 | 4 | 6 | 9.50 | 82 | 0 | 2 | 2 | 2.00 | 2.77 | 367 |
| 40 | 36 | 13 | 20.17 | 4 | 1 | 12 | 19.67 | 10 | 2 | 6 | 19.67 | 4 | 2 | 12 | 9.50 | 6 | 4 | 6 | 9.50 | 82 | 0 | 2 | 2 | 2.08 | 3.29 | 368 |
| 50 | 41 | 15 | 20.50 | 4 | 1 | 12 | 20.00 | 10 | 2 | 6 | 20.00 | 4 | 2 | 12 | 9.50 | 6 | 4 | 6 | 9.50 | 82 | 0 | 2 | 2 | 2.25 | 3.78 | 372 |
| 60 | 46 | 16 | 20.67 | 4 | 1 | 12 | 20.17 | 10 | 2 | 6 | 20.17 | 4 | 2 | 12 | 9.50 | 5 | 4 | 6 | 9.50 | 82 | 0 | 2 | 2 | 2.33 | 4.19 | 356 |



Note: Maximum fill height shown in the table is measured from the bottom of the top slab. To obtain the total fill height from the flow line, add the height of the box.
 Note: When height of fill above the top slab is less than 1 foot, the top mat of reinforcing in the top slab shall be constructed with 2-1/2 inches of concrete cover.

The following bar information applies to all fill cases in the tables above:
 Bars LNT Size = 4 Spacing = 12 in.
 Bars LND Size = 5 Spacing = 6 in.
 Bars WS Size = 8 Length = 5.00 ft. Spacing = 12 in.
 Bars WF Size = 8 Length = 6.00 ft. Spacing = 12 in.
 Bars EWF Size = 4 No. = 2 Spacing = 12 in.

NOTE: FOR DESCRIPTIONS OF BOX DIMENSIONS AND REINFORCING BAR DESIGNATIONS SEE STANDARD DRAWING NO. STD-17-5.

STATE OF TENNESSEE
 DEPARTMENT OF TRANSPORTATION
 STANDARD REINFORCED CONCRETE
 SLAB BRIDGE
 INTERIOR SECTION
 SPANS: 1 BARREL AT 18'-0"
 CLEAR HEIGHTS 9'-0" THRU 11'-0"
 0' THRU 60' FILL
 2010

DESIGNED BY: RLL/ALP DATE: 12-09
 DRAWN BY: KEVIN MARTINKO DATE: 1-10
 SUPERVISED BY: EPW/RLC DATE: 12-09
 CHECKED BY: RLL/ALP DATE: 2-10

CORRECT *Edward P. Wasserman*
 ENGINEER OF STRUCTURES