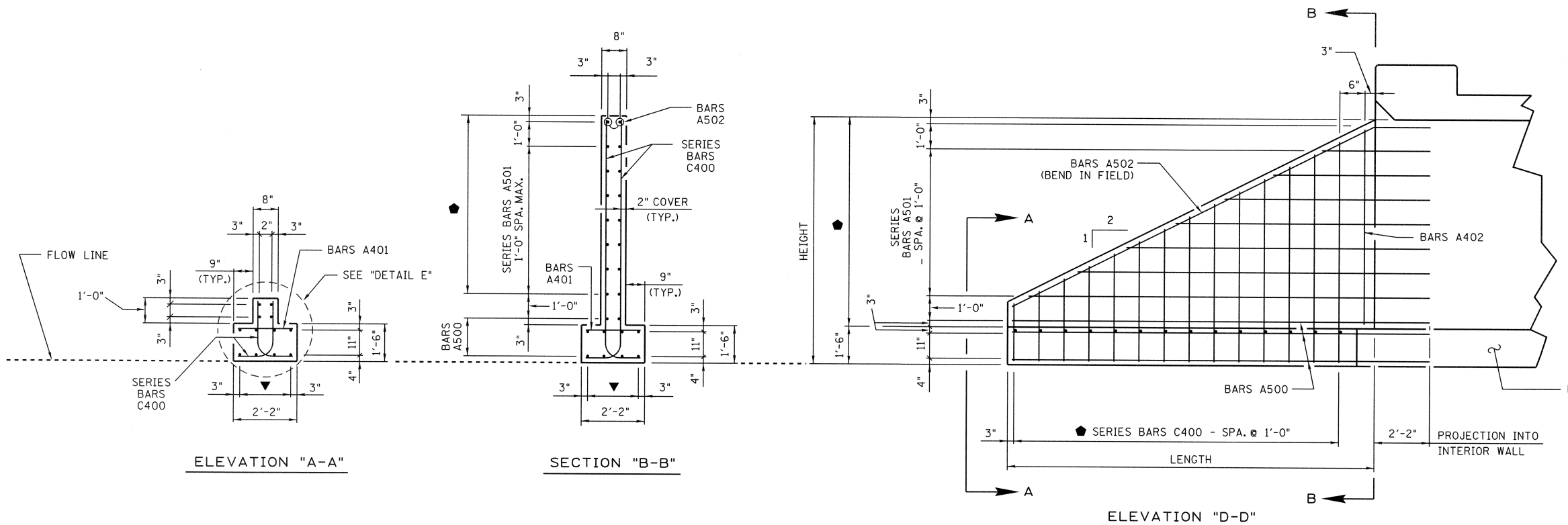


CONST. NO.			
PROJECT NO.	YEAR	SHEET NO.	
	2010		
REVISIONS			
NO.	DATE	BY	BRIEF DESCRIPTION

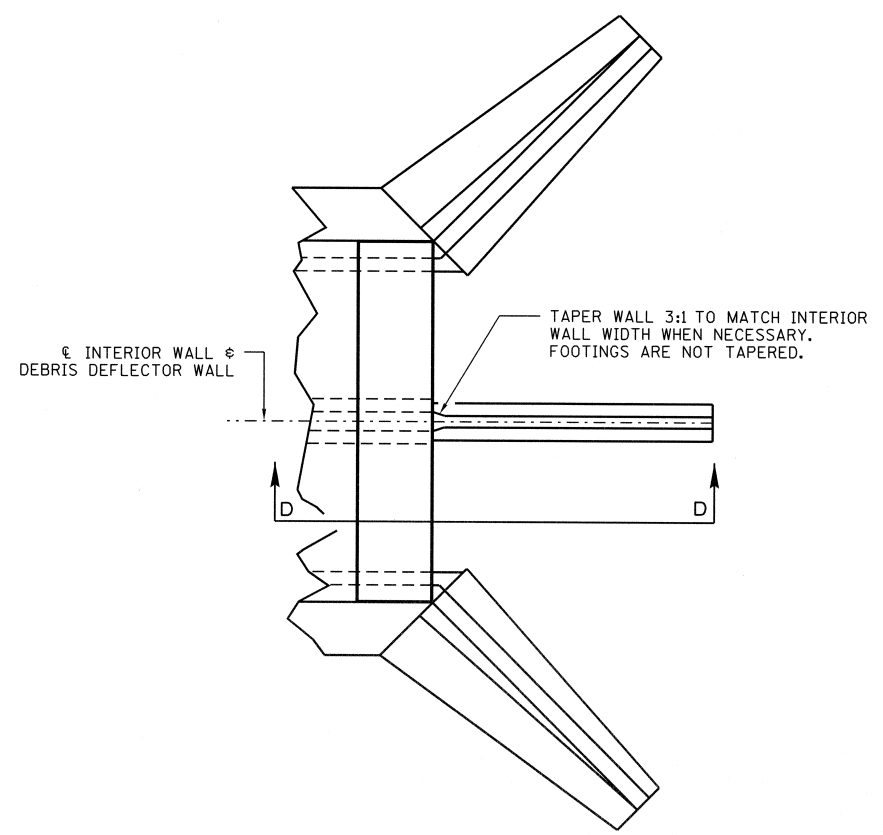


DEBRIS DEFLECTION WALL FOOTING SHALL BE SAME THICKNESS (1'-6") AS INTERIOR WALL FOOTING.

▼ DENOTES BARS A500 (TOP & BOTTOM) @ 3 EQUAL SPACES.
 ● DENOTES DIMENSION AND NUMBER OF BARS VARIES IN ACCORDANCE WITH HEIGHT OF CULVERT.

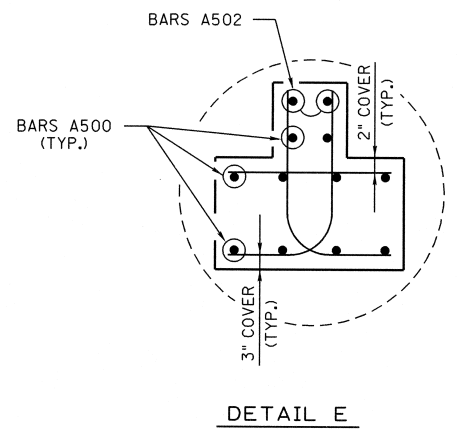
SLAB BRIDGE DIMENSIONS AND QUANTITIES

HEIGHT (FEET)	LENGTH (FEET)	CLASS "A" CONCRETE (C.Y.)	STEEL BAR REINFORCEMENT (LBS.)
6	7	1.3	215
7	9	1.7	285
8	11	2.3	362
9	13	2.8	446
10	15	3.5	537
11	17	4.2	634
12	19	4.9	739
13	21	5.7	850
14	23	6.5	968
15	25	7.4	1093
16	27	8.3	1225
17	29	9.3	1364
18	31	10.3	1509



SLAB BRIDGE HALF PLAN

(2 BARREL SHOWN; 3 BARREL SIMILAR)
 (90° SKEW SHOWN; OTHER SKEWS SIMILAR)



DETAIL E

STATE OF TENNESSEE
 DEPARTMENT OF TRANSPORTATION
 DEBRIS DEFLECTION WALL
 FOR SLAB BRIDGE

STANDARD REINFORCED
 CONCRETE BRIDGE
 BOX AND SLAB TYPE

2010

CORRECT *Edward P. Wasserman*
 ENGINEER OF STRUCTURES

DESIGNED BY CMH / MAH DATE 12-09
 DRAWN BY DIANE BUSH DATE 04-10
 SUPERVISED BY RLH / JWP / MAH DATE 12-09
 CHECKED BY DATE