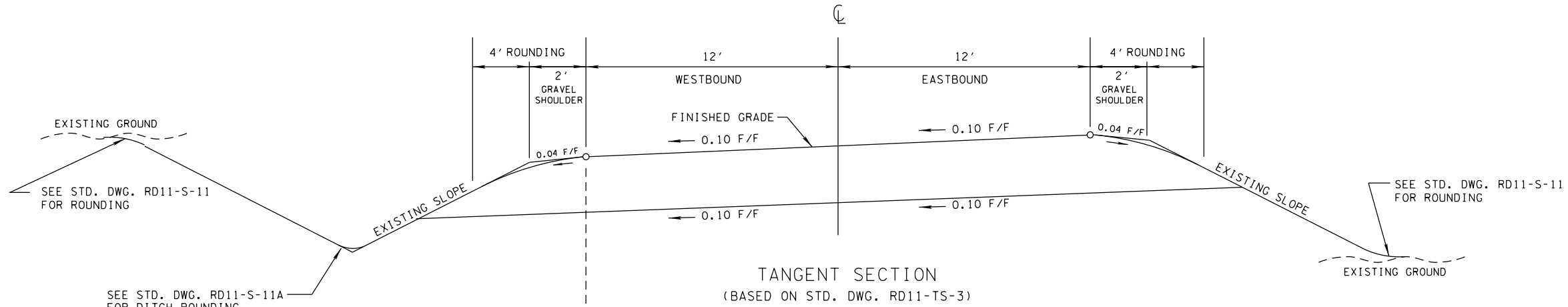


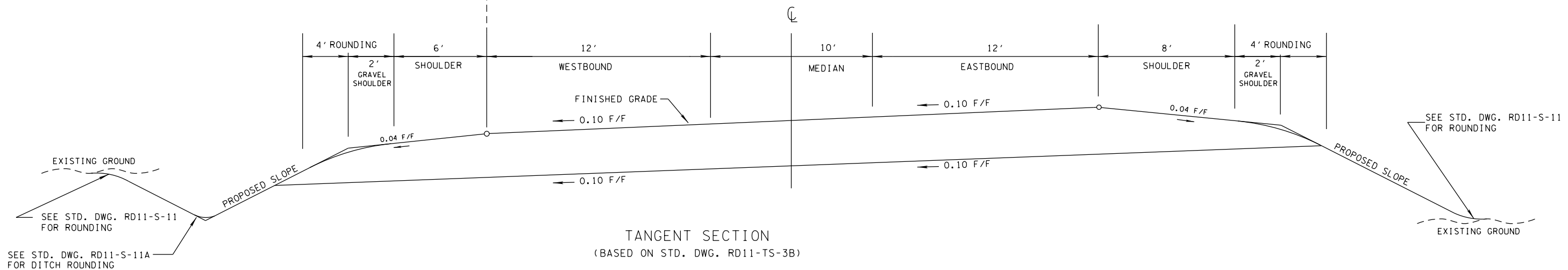
CURVE WIDENING
12' LANES / 10' MEDIAN
8' OUTSIDE / 6' INSIDE SHOULDERS
HOLD INSIDE EDGE OF PAVEMENT

TYPE	YEAR	COUNTY	FIGURE NO.
TR	2020	GRUNDY	I

EXISTING TYPICAL SECTION



PROPOSED TYPICAL SECTION



6/17/2020 2:48:37 PM X:\Projects\Grundy\SR 50 Pelham Rd TIR (LM 8.0 - 11.0)\Project Files\Microstation\Conceptual Plans (DGN & PDF)\typicalsections\typicalcs.sht

GRUNDY CO LM 9.0 - 9.1
GRUNDY CO LM 9.8 - 10.0

SHEET 2
SHEET 3

TECHNICAL REPORT

STATE ROUTE 50
L.M. 8.00 TO L.M. 11.13

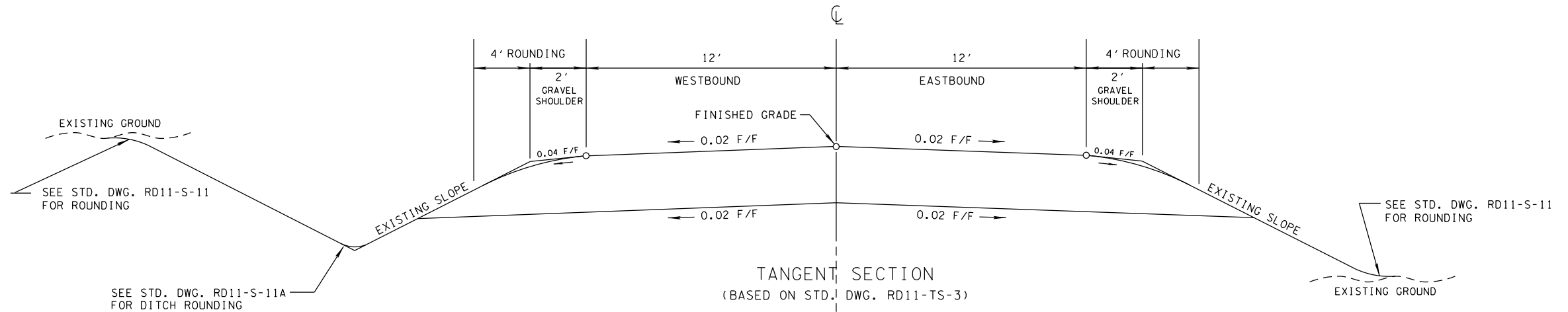
STATE OF TENNESSEE
DEPARTMENT OF TRANSPORTATION
S.T.I.D.

FIGURE I
GRUNDY
S.R. 50

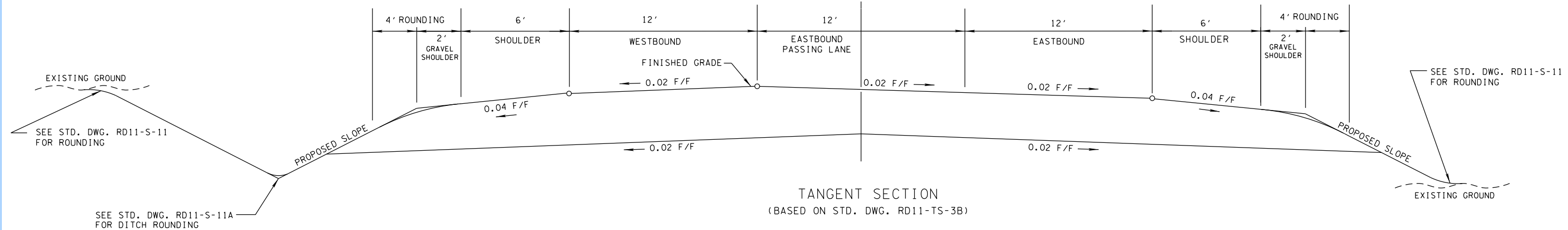
PASSING LANE SECTION
12' LANES / 8' SHOULDER
SYMMETRIC WIDENING

TYPE	YEAR	COUNTY	FIGURE NO.
TR	2020	GRUNDY	II

EXISTING TYPICAL SECTION

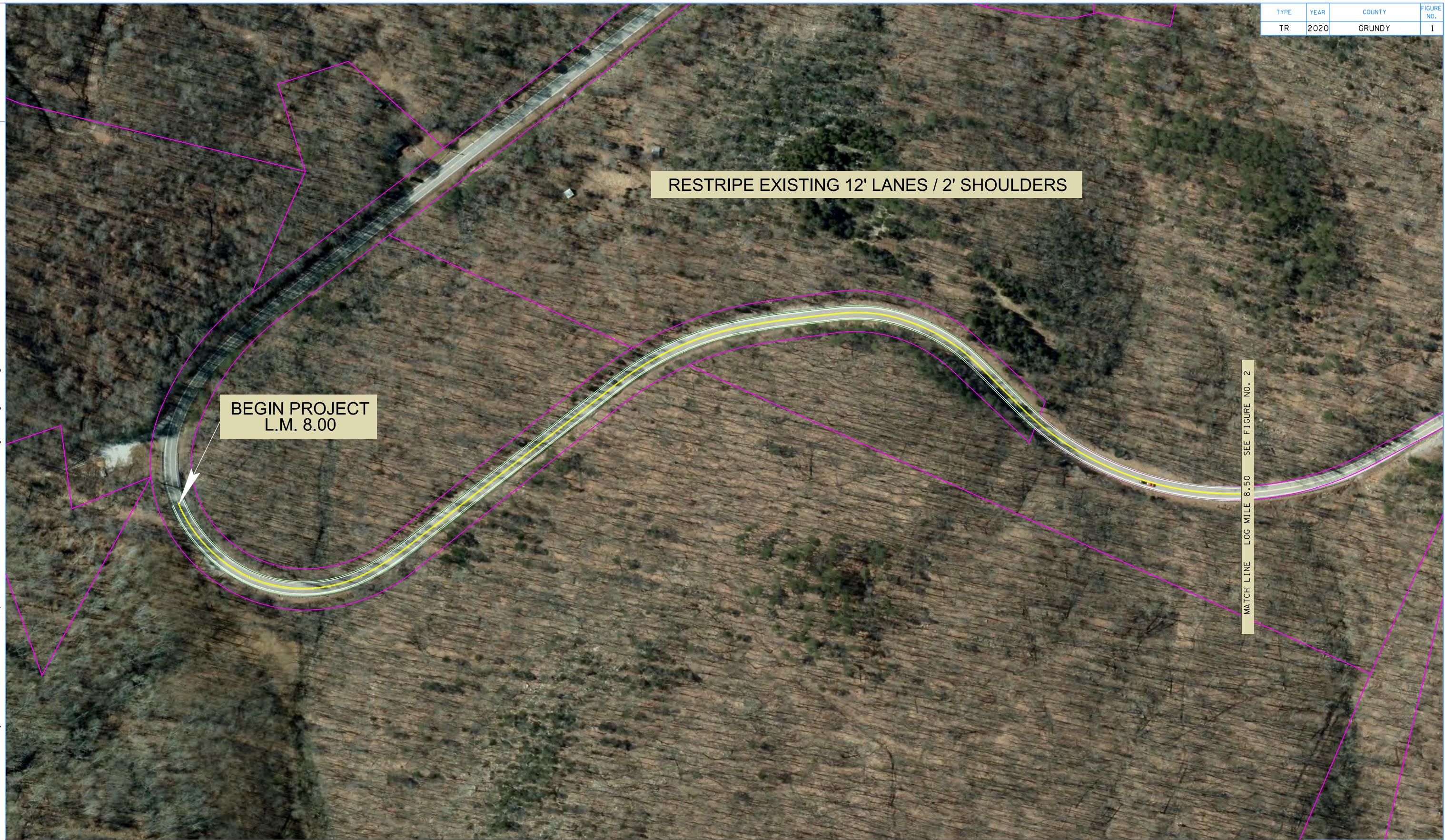


PROPOSED TYPICAL SECTION



6/15/2020 1:20:21 PM X:\Projects\Grundy\SR 50 Pelham Rd TIR (LM 8.0 - 11.0)\Project Files\Microstation\Conceptual Plans (DGN & PDF)\typicalsections\typicals.sht

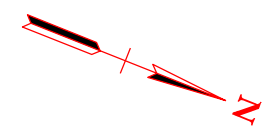
6/17/2020 8:09:34 AM
X:\Projects\Grundy SR 50 Pelham Rd TIR (L.M. 8.0 - 11.0)\Project Files\Microstation\ConceptualPlans (DCN & PDF)\sht01_SR 50_Grundy_Climbing Lanes.dgn



BEGIN PROJECT
L.M. 8.00

RESTRIPE EXISTING 12' LANES / 2' SHOULDERS

MATCH LINE LOG MILE 8.50 SEE FIGURE NO. 2



TECHNICAL REPORT

STATE ROUTE 50
L.M. 8.00 TO L.M. 11.13
GRUNDY COUNTY

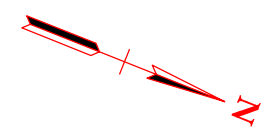
STATE OF TENNESSEE
DEPARTMENT OF TRANSPORTATION
S.T.I.D.

FIGURE 1
S.R. 50
L.M. 8.00 to
L.M. 8.50

TYPE	YEAR	COUNTY	FIGURE NO.
TR	2019	GRUNDY	2



6/16/2020 4:23:41PM X:\Projects\Grundy\SR 50 Pelham Rd TIR (L.M. 8.0 - 11.0)\Project Files\Microstation\ConceptualPlans\00GN & PDF\sh102_SR 50_Grundy_Climbing Lanes.dgn



TECHNICAL REPORT

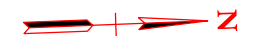
STATE ROUTE 50
L.M. 8.00 TO L.M. 11.13
GRUNDY COUNTY

**WIDEN LANE AND SHOULDER
AROUND SWITCHBACK
L.M. 9.00 - L.M. 9.10**

STATE OF TENNESSEE
DEPARTMENT OF TRANSPORTATION
S.T.I.D.

FIGURE 2
S.R. 50
L.M. 8.50 to
L.M. 9.45

6/16/2020 1:30:40 PM X:\Projects\Grundy\SR 50 Pelham Rd TIR (L.M. 8.0 - 11.0)\Project Files\Microstation\ConceptualPlans (DCN & PDF)\sht02a_SR 50_Grundy_Climbing Lanes.dgn



TECHNICAL REPORT

STATE ROUTE 50
L.M. 8.00 TO L.M. 11.13
GRUNDY COUNTY

STATE OF TENNESSEE
DEPARTMENT OF TRANSPORTATION
S.T.I.D.

FIGURE 2A
S.R. 50
L.M. 9.00 to
L.M. 9.10

TYPE	YEAR	COUNTY	FIGURE NO.
TR	2020	GRUNDY	3

WIDEN LANE AND SHOULDER
AROUND HAIRPIN CURVE
L.M. 9.80 - L.M. 9.90

PROPOSED R.O.W.

SHEET 3A

RESTRIPE EXISTING 12' LANES / 2' SHOULDERS

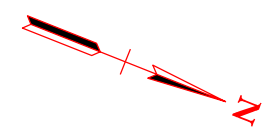
WIDEN LANE AND SHOULDER
AROUND REVERSE CURVE
L.M. 9.90 - L.M. 10.00

EDGE OF PAVEMENT

MATCH LINE LOG MILE 9.45
SEE FIGURE NO. 2

MATCH LINE LOG MILE 10.30
SEE FIGURE NO. 4

6/19/2020 8:28:50 AM X:\Projects\Grundy\SR 50 Pelham Rd TIR (L.M. 8.0 - 11.0)\Project Files\Microstation\ConceptualPlans\DCN & PDF\sh03.SR 50.Grundy.Climbing Lanes.dgn



TECHNICAL REPORT

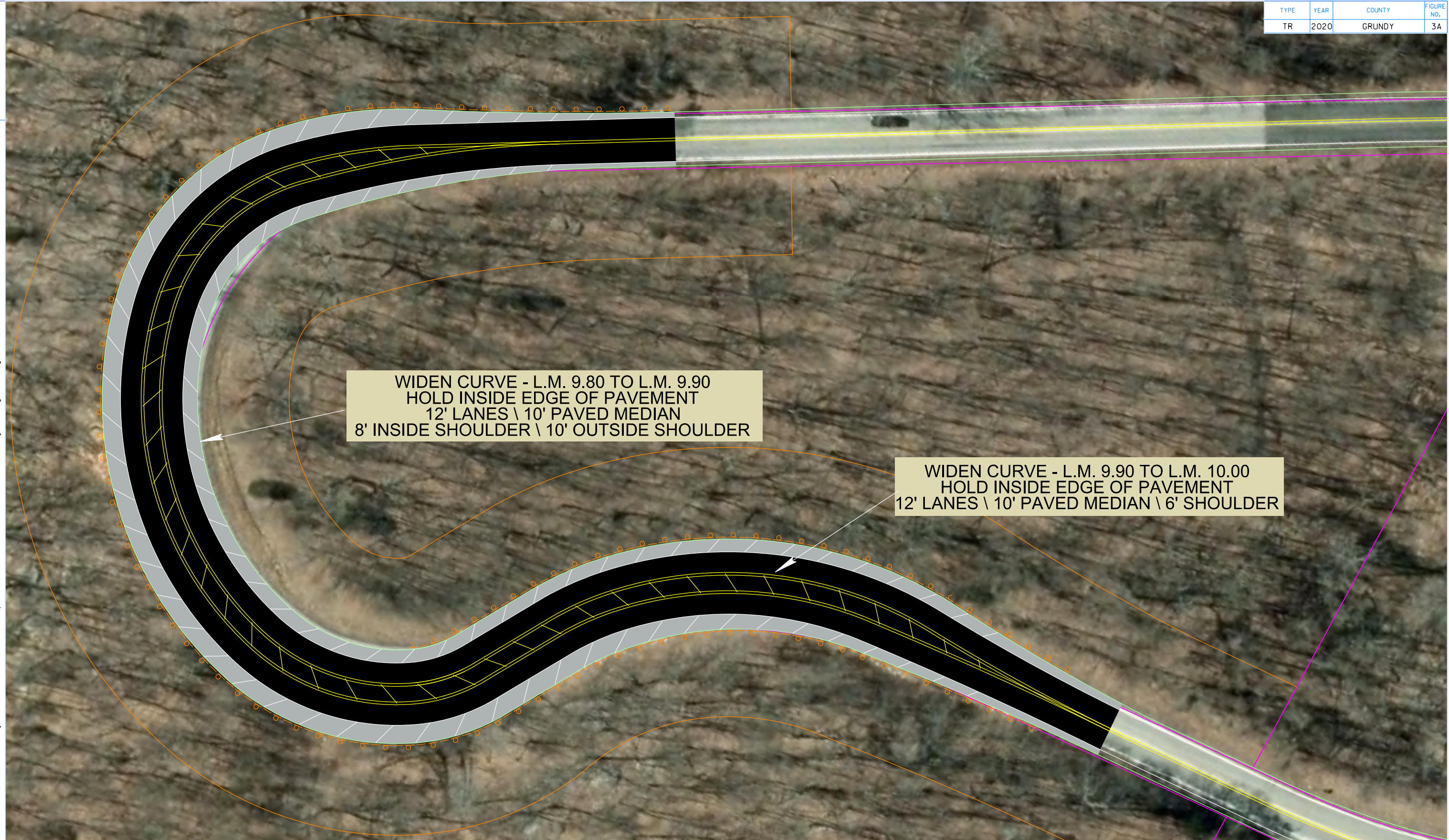
STATE ROUTE 50
L.M. 8.00 TO L.M. 11.13
GRUNDY COUNTY

STATE OF TENNESSEE
DEPARTMENT OF TRANSPORTATION
S.T.I.D.

FIGURE 3
S.R. 50
L.M. 9.45 to
L.M. 10.30

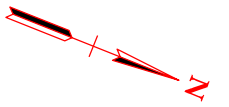
TYPE	YEAR	COUNTY	FIGURE NO.
TR	2020	GRUNDY	3A

6/19/2020 8:04:5 AM X:\Projects\Grundy SR 50 Pelham Rd TIR (L.M. 8.0 - 11.0)\Project Files\Microstation\ConceptualPlans (DCN & PDF)\sht03a_SR 50_Grundy_Climbing Lanes.dgn



WIDEN CURVE - L.M. 9.80 TO L.M. 9.90
 HOLD INSIDE EDGE OF PAVEMENT
 12' LANES \ 10' PAVED MEDIAN
 8' INSIDE SHOULDER \ 10' OUTSIDE SHOULDER

WIDEN CURVE - L.M. 9.90 TO L.M. 10.00
 HOLD INSIDE EDGE OF PAVEMENT
 12' LANES \ 10' PAVED MEDIAN \ 6' SHOULDER



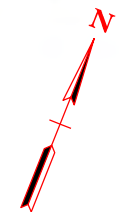
TECHNICAL REPORT

STATE ROUTE 50
 L.M. 8.00 TO L.M. 11.13
 GRUNDY COUNTY

STATE OF TENNESSEE
 DEPARTMENT OF TRANSPORTATION
 S.T.I.D.

FIGURE 3A
 S.R. 50
 L.M. 9.80 to
 L.M. 10.00

6/16/2020 2:01:25 PM X:\Projects\Grundy SR 50 Pelham Rd TR (L.M. 8.0 - 11.0)\Project Files\Microstation\ConceptualPlans IDGN & PDF\shf04_SR 50_Grundy_Climbing Lanes.dgn



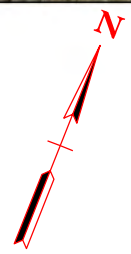
TECHNICAL REPORT

STATE ROUTE 50
L.M. 8.00 TO L.M. 11.13
GRUNDY COUNTY

TYPE	YEAR	COUNTY	FIGURE NO.
TR	2020	GRUNDY	5

TENNESSEE D.O.T.
S.T.I.D.
FILE NO. _____

6/16/2020 2:04:45 PM X:\Projects\Grundy SR 50 Pelham Rd TIR (L.M. 8.0 - 11.0)\Project Files\Microstation\ConceptualPlans\DCN & PDF\sh05.SR 50_Grundy_Climbing Lanes.dgn



TECHNICAL REPORT
STATE ROUTE 50
L.M. 8.00 TO L.M. 11.13
GRUNDY COUNTY

STATE OF TENNESSEE
DEPARTMENT OF TRANSPORTATION
S.T.I.D.

FIGURE 5
S.R. 50
L.M. 10.80 to
L.M. 11.13

MATCH LINE LOG MILE 10.80 SEE FIGURE NO. 4

PROPOSED R.O.W.

END PROJECT - L.M. 11.13
TIE INTO EXISTING 12' LANE / 2' SHOULDER

EDGE OF PAVEMENT

EB PASSING LANE
3 x 12' LANE / 8' SHOULDER

END EB PASSING LANE
L.M. 11.10